

IE-FC-DSP-PWB/2ST/FILS

Weidmüller Interface GmbH & Co. KG

Klingenbergstraße 26

D-32758 Detmold

Germany

www.weidmueller.com



FrontCom® Vario integrates multiple functions in only one single frame. The system is easy to install and you can select from a wide range of data, signal and power modules. In addition to being extremely compact, FrontCom® Vario offers a number of unique product features that will make your project planning and work activities secure, fast and future-proof. Furthermore, the FrontCom® Vario system has an attractive housing design that, by the way, offers highest impact-resistance and fully meets the requirements of IP 65 protection class.

General ordering data

Version	FrontCom, Insert plate, shielded, 1x Power, 2x Data, 1 x preparation of RCBO
Order No.	2067080000
Type	IE-FC-DSP-PWB/2ST/FILS
GTIN (EAN)	4050118415612
Qty.	1 pc(s).

Creation date March 26, 2021 10:18:01 PM CET

Catalogue status 12.03.2021 / We reserve the right to make technical changes.

IE-FC-DSP-PWB/2ST/FILS

Weidmüller Interface GmbH & Co. KG
 Klingenbergstraße 26
 D-32758 Detmold
 Germany

www.weidmueller.com

Technical data**Dimensions and weights**

Height	74 mm	Height (inches)	2.913 inch
Length	90.5 mm	Length (inches)	3.563 inch
Net weight	54.37 g	Width	116.5 mm
Width (inches)	4.587 inch		

Temperatures

Operating temperature	-40 °C...70 °C
-----------------------	----------------

Environmental Product Compliance

REACH SVHC	Potassium perfluorobutane sulfonate 29420-49-3
------------	--

General data

Material	Polycarbonate PC	Product type	Insert plate, shielded
----------	------------------	--------------	------------------------

Inserts

Insert Power large	1	Insert RCBO (2 modular width units)	1
Insert suitable for RCBO according to standard	DIN43880	Insert, data	2

General standards

Certificate No. (CSA)	2000039-80039714	Certificate No. (cURus)	E223801
-----------------------	------------------	-------------------------	---------

Classifications

ETIM 6.0	EC000456	ETIM 7.0	EC000456
ECLASS 9.0	27-18-28-06	ECLASS 9.1	27-18-92-90
ECLASS 10.0	27-18-28-06	ECLASS 11.0	27-18-28-06

Approvals

Approvals



ROHS	Conform
UL File Number Search	E223801

Downloads

Engineering Data	STEP
Engineering Data	EPLAN
User Documentation	Designation key / Type key

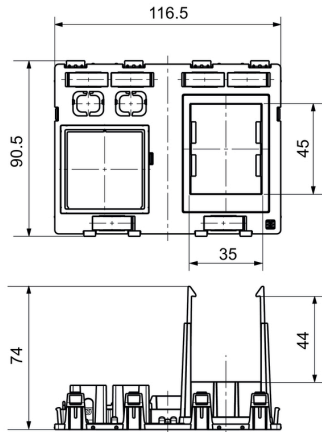
IE-FC-DSP-PWB/2ST/FILS

Weidmüller Interface GmbH & Co. KG
Klingenbergstraße 26
D-32758 Detmold
Germany

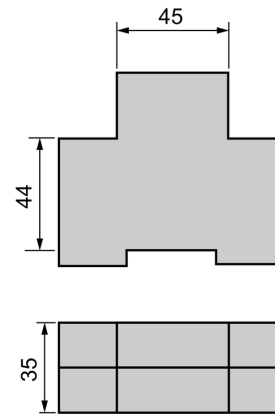
www.weidmueller.com

Drawings

Dimensioned drawing



Detailed drawing



Suitable RCBO for the RCBO cut-out has the dimensions in the drawing (acc. to DIN 43880). Every RCBO with this dimension will fit.