

## PWR276524L

**Weidmüller Interface GmbH & Co. KG**

Klingenbergstraße 26

D-32758 Detmold

Germany

[www.weidmueller.com](http://www.weidmueller.com)

### Product image



Similar to illustration

Our small industrial contactors of the PWR are particularly suitable for switching larger load currents.

- 1 NO contact (30 A) and 2 NO contacts (25 A)
- AgSnO Contact material
- Double contact to increase contact opening
- Direct mounting on DIN rail TS35
- With integrated status LED

### General ordering data

Version	D-SERIES PWR, Relay module, Number of contacts: 2, NO contact AgSnO2, AgSnO, Rated control voltage: 24 V AC, Continuous current: 25 A
Order No.	<a href="#">1219160000</a>
Type	PWR276524L
GTIN (EAN)	4032248999088
Qty.	10 pc(s).

Creation date March 23, 2021 9:13:24 AM CET

Catalogue status 12.03.2021 / We reserve the right to make technical changes.

**PWR276524L****Weidmüller Interface GmbH & Co. KG**

Klingenbergstraße 26

D-32758 Detmold

Germany

www.weidmueller.com

**Technical data****Dimensions and weights**

Depth	55 mm	Depth (inches)	2.165 inch
Height	34 mm	Height (inches)	1.339 inch
Net weight	120 g	Width	50.5 mm
Width (inches)	1.988 inch		

**Temperatures**

Storage temperature	-25 °C...55 °C	Operating temperature	-25 °C...55 °C
Humidity	35...85 % rel. humidity, no condensation		

**Environmental Product Compliance**

REACH SVHC	Lead 7439-92-1
------------	----------------

**Rated data UL**

Certificate No. (cURus)	E312083
-------------------------	---------

**Control side**

Coil resistance	275 $\Omega$ $\pm$ 10 %	Power rating	2.5 VA
Pull-in/drop-out voltage, typ.	18 V / 3.6 V AC	Rated control voltage	24 V AC
Rated current AC	87.3 mA	Status indicator	Green LED

**Load side**

AC switching capacity (resistive), max.	6900 VA	Continuous current	25 A
DC switching capacity (resistive), max.	600 W @ 24 V	Inrush current	120 A / 50 ms
Max. switching frequency at rated load	0.1 Hz	Min. switching power	100 mA @ 12 V
Rated switching voltage	277 undefined AC	Switch-off delay	$\leq$ 30 ms
Switch-on delay	$\leq$ 30 ms		

**Contact data**

Contact type	2 NO contact (AgSnO <sub>2</sub> , AgSnO)	Contact resistance	$\leq$ 50 m $\Omega$
--------------	-------------------------------------------	--------------------	----------------------

**General data**

Rail	TS 35	
Test button	No	
Mechanical switch position indicator	No	
Colour	beige	
UL94 flammability rating component	Component	Relay test button
	UL94 flammability rating	HB
	Component	Relay status indicator
	UL94 flammability rating	HB
	Component	Relay baseplate
	UL94 flammability rating	V-0
Component	Relay cover	
	UL94 flammability rating	V-2

## PWR276524L

Weidmüller Interface GmbH &amp; Co. KG

Klingenbergstraße 26

D-32758 Detmold

Germany

www.weidmueller.com

## Technical data

## Insulation coordination

Creepage and clearance distance input – output	≥ 5.5 mm	Dielectric strength of neighbouring contacts	2 kV <sub>eff</sub> / 1 min
Dielectric strength of open contact	2 kV <sub>eff</sub> / 1 min	Dielectric strength, Input/Output	4 kV <sub>eff</sub> / 1 min
Impulse withstand voltage	6 kV (1.2/50 μs)	Insulating material group	IIIa
Pollution severity	3	Protection degree	IP10
Rated voltage	250 V	Surge voltage category	III

## Further details of approvals / standards

Standards	IEC 61810-1, EN 60664-1:2007, EN 61000-6-2:2005, EN 61000-6-4:2007 + A1:2011, UL 508	Certificate No. (cURus)	E312083
-----------	--------------------------------------------------------------------------------------	-------------------------	---------

## Connection data (control side)

Wire connection method (control side)	Screw connection	Min. rated connection clamping range (control side)	0.5 mm <sup>2</sup>
Max. rated connection clamping range (control side)	2.5 mm <sup>2</sup>	Min. tightening torque (control side)	0.5 Nm
Max. tightening torque (control side)	1.2 Nm	Blade size (control side)	Gr. PH2

## Connection data (load side)

Wire connection method (load side)	Screw connection	Min. rated connection clamping range (load side)	0.5 mm <sup>2</sup>
Max. rated connection clamping range (load side)	4 mm <sup>2</sup>	Min. tightening torque (load side)	0.5 Nm
Max. tightening torque (load side)	1.2 Nm	Blade size (load side)	Gr. PH2

## Classifications

ETIM 6.0	EC001437	ETIM 7.0	EC001437
ECLASS 9.0	27-37-16-01	ECLASS 9.1	27-37-16-01
ECLASS 10.0	27-37-16-01	ECLASS 11.0	27-37-16-01

## Approvals

Approvals



ROHS	Conform
UL File Number Search	E312083

## Downloads

Approval/Certificate/Document of Conformity	<a href="#">EU Konformitätserklärung / EU Declaration of Conformity</a>
Engineering Data	<a href="#">EPLAN, WSCAD</a>

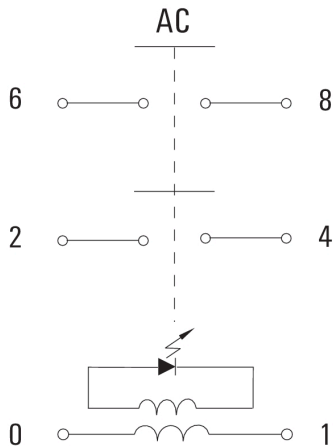
**PWR276524L**

**Weidmüller Interface GmbH & Co. KG**  
 Klingenbergstraße 26  
 D-32758 Detmold  
 Germany

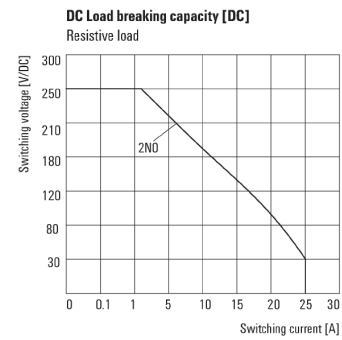
www.weidmueller.com

**Drawings**

**Wiring diagram**

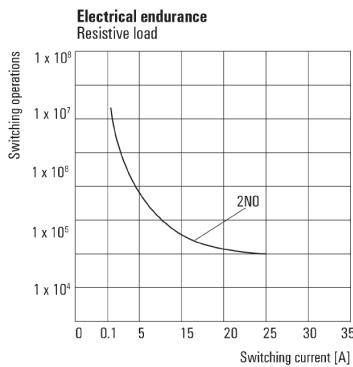


**Graph**



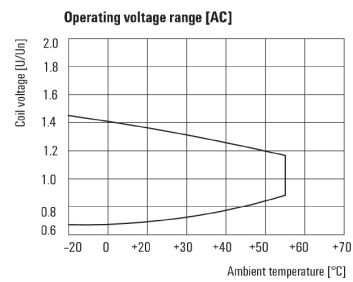
DC load limit curve  
Resistive load

**Graph**



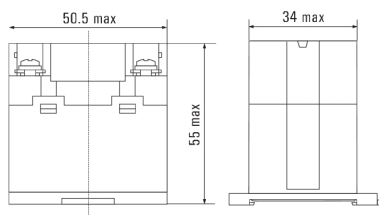
Electrical service life  
Resistive load

**Graph**



AC operational voltage range

**Dimensional drawing**



**Data sheet**

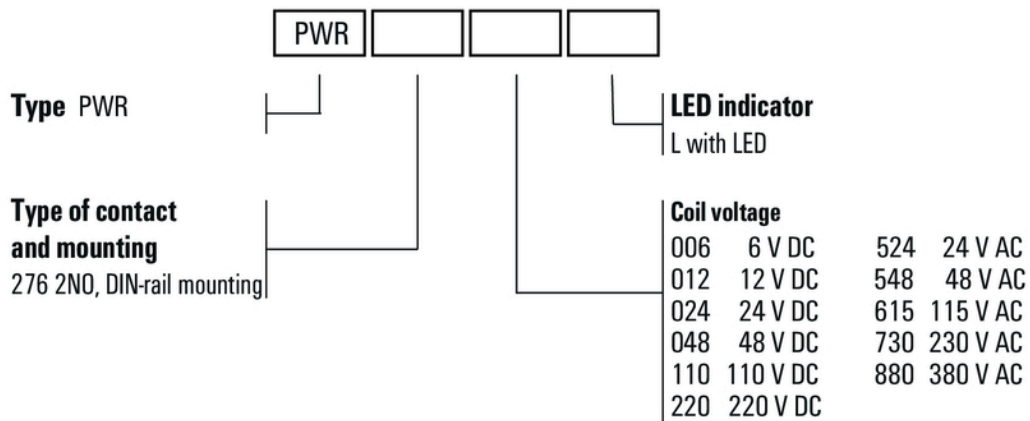
**PWR276524L**

**Weidmüller Interface GmbH & Co. KG**  
 Klingenbergstraße 26  
 D-32758 Detmold  
 Germany

www.weidmueller.com

**Drawings**

**Miscellaneous**



Type codes