

PB-CON 160 S/02/90RFSF AG BK BX

Weidmüller Interface GmbH & Co. KG
 Klingenbergstraße 26
 D-32758 Detmold
 Germany

www.weidmueller.com

Product image



Similar to illustration

- Future-proof design
- Different module sizes
- Simple device integration
- Simple plug-and-play solution – fast replacement of individual modules from a single device network
- Quick and easy installation without tools
- Safe locking of busbar connectors
- Touch-safe construction
- Tolerance compensation in the rail system allows simple mounting of the devices on the panel mounting plate without extreme accuracy
- Uncomplicated UL approval with registered UL components
- Ideal design of size and technical data for typical multi-axis servo amplifiers

General ordering data

Version	PCB plug-in connector, female header, Cable gland, Pitch in mm (P): 42.50 mm, Number of poles: 2, 90°, Box
Order No.	2594720000
Type	PB-CON 160 S/02/90RFSF AG BK BX
GTIN (EAN)	4050118607109
Qty.	20 pc(s).
Product data	IEC: 1000 V / 160 A UL: 750 V dc / 160 A
Packaging	Box

PB-CON 160 S/02/90RFSF AG BK BX
Weidmüller Interface GmbH & Co. KG

Klingenbergstraße 26

D-32758 Detmold

Germany

www.weidmueller.com

Technical data
Dimensions and weights

Net weight	54.97 g
------------	---------

System specifications

Product family	OMNIMATE Power - Powerbus series		
Type of connection	Board connection		
Mounting onto the PCB	Cable gland		
Pitch in mm (P)	42.5 mm		
Pitch in inches (P)	1.67 inch		
Outgoing elbow	90°		
Number of poles	2		
L1 in mm	42.5 mm		
L1 in inches	1.67 inch		
Number of rows	1		
Pin series quantity	1		
Touch-safe protection acc. to DIN VDE 0470	IP20 plugged		
Volume resistance	≤5 mΩ		
Can be coded	Yes		
Plugging force/pole, max.	90 N		
Pulling force/pole, max.	65 N		
Tightening torque	Torque type	Housing	
	Usage information	Thickness	nominal 2 mm
Tightening torque		min.	0.5 Nm
		max.	0.7 Nm
Recommended screw	Part number	PB-CON_SF DELTA PT 40X12	
Tightening torque	Torque type	PCB	
	Usage information	Thickness	min.
max.			3.2 mm
Tightening torque		min.	1.44 Nm
	max.	1.76 Nm	
Recommended screw	Part number	PB-CON IKSC M4X8 A2	

Material data

Insulating material	PA GF	Colour	black
Colour chart (similar)	RAL 9011	Insulating material group	II
Comparative Tracking Index (CTI)	≥ 400	UL 94 flammability rating	V-0
Contact material	Copper alloy	Contact surface	silver-plated
Layer structure of plug contact	4...6 μm Ag	Storage temperature, min.	-40 °C
Storage temperature, max.	70 °C	Operating temperature, min.	-50 °C
Operating temperature, max.	125 °C	Temperature range, installation, min.	-20 °C
Temperature range, installation, max.	65 °C		

PB-CON 160 S/02/90RFSF AG BK BX
Weidmüller Interface GmbH & Co. KG

Klingenbergstraße 26

D-32758 Detmold

Germany

www.weidmueller.com

Technical data
Rated data acc. to IEC

tested acc. to standard	IEC 60664-1, IEC 61984	Rated current, min. number of poles (Tu=20°C)	160 A
Rated current, max. number of poles (Tu=20°C)	160 A	Rated current, min. number of poles (Tu=40°C)	140 A
Rated current, max. number of poles (Tu=40°C)	140 A	Rated voltage for surge voltage class / pollution degree II/2	1,000 V
Rated voltage for surge voltage class / pollution degree III/2	1,000 V	Rated voltage for surge voltage class / pollution degree III/3	800 V
Rated impulse voltage for surge voltage class/ pollution degree II/2	6 kV	Rated impulse voltage for surge voltage class/ pollution degree III/2	8 kV
Rated impulse voltage for surge voltage class/ contamination degree III/3	8 kV	Short-time withstand current resistance	3 x 1s mit 1000 A

Rated data acc. to UL 508

Rated voltage	750 V dc	Rated current	160 A
Creepage distance, min.	11.2 mm	Luftstrecke, min	10.1 mm

Packing

Packaging	Box	VPE length	285 mm
VPE width	204 mm	VPE height	43 mm

Classifications

ETIM 6.0	EC002637	ETIM 7.0	EC002637
ECLASS 9.0	27-44-04-02	ECLASS 9.1	27-44-04-02
ECLASS 10.0	27-44-04-02	ECLASS 11.0	27-46-02-01

Important note

IPC conformity Conformity: The products are developed, manufactured and delivered according international recognized standards and norms and comply with the assured properties in the data sheet resp. fulfill decorative properties in accordance with IPC-A-610 "Class 2". Further claims on the products can be evaluated on request.

- Notes
- Additional colours on request
 - IEC- rated current is based on 20°C ambiente temperature, further values see derating curve
 - UL508- rated current based on 65°C ambiente temperature and max. 20 devices
 - Rated data refer only to the component itself. Clearance and creepage distances to other components are to be designed in accordance with the relevant application standards.
 - Long term storage of the product with average temperature of 50 °C and average humidity 70%, 36 months

Approvals

Approvals



ROHS	Conform
UL File Number Search	E196651

Creation date April 16, 2021 4:11:46 AM CEST

Catalogue status 09.04.2021 / We reserve the right to make technical changes.

3

PB-CON 160 S/02/90RFSF AG BK BX

Weidmüller Interface GmbH & Co. KG
Klingenbergstraße 26
D-32758 Detmold
Germany

www.weidmueller.com

Technical data**Downloads**

Engineering Data	STEP
Brochure/Catalogue	Catalogues in PDF-format

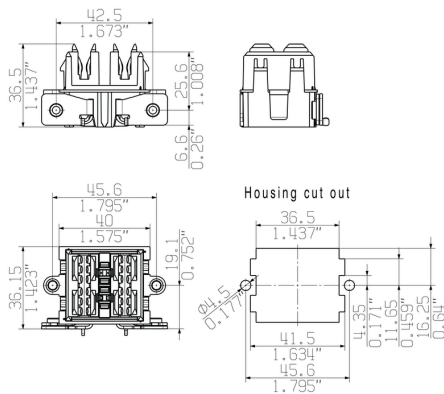
PB-CON 160 S/02/90RFSF AG BK BX

Weidmüller Interface GmbH & Co. KG
 Klingenbergstraße 26
 D-32758 Detmold
 Germany

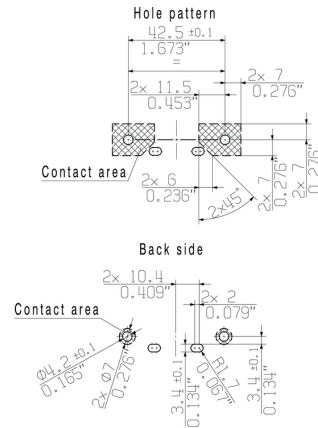
www.weidmueller.com

Drawings

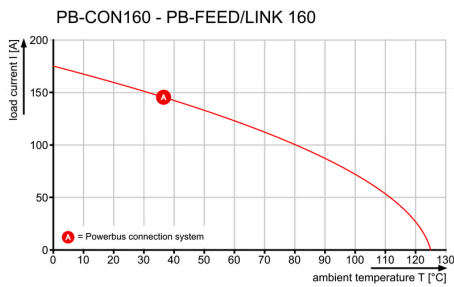
Dimensional drawing



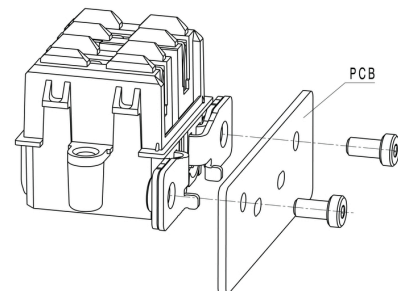
Dimensional drawing



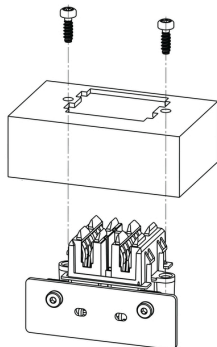
Graph



Application



Application



Application

