

DRH173024LT**Weidmüller Interface GmbH & Co. KG**

Klingenbergstraße 26

D-32758 Detmold

Germany

www.weidmueller.com

Product image

Similar to illustration

DRH DC relays (with blow-out magnet)

- 1 NO contact with contact series connection
- Optional AC or DC coils
- With test button and Integrated status LED

General ordering data

| | |
|------------|---|
| Version | D-SERIES DRW / DRH, Relay, Number of contacts: 1, CO contact AgSnO ₂ , AgSnO, Rated control voltage: 24 V DC, Continuous current: 16 A, Flat blade connections (4.8 mm x 0.5 mm) |
| Order No. | 1219850000 |
| Type | DRH173024LT |
| GTIN (EAN) | 4032248998333 |
| Qty. | 10 pc(s). |

Creation date March 23, 2021 9:16:47 AM CET

Catalogue status 12.03.2021 / We reserve the right to make technical changes.

DRH173024LT

Weidmüller Interface GmbH & Co. KG

Klingenbergstraße 26

D-32758 Detmold

Germany

www.weidmueller.com

Technical data

Dimensions and weights

| | | | |
|----------------|------------|-----------------|------------|
| Depth | 48 mm | Depth (inches) | 1.89 inch |
| Height | 36 mm | Height (inches) | 1.417 inch |
| Net weight | 84.8 g | Width | 36 mm |
| Width (inches) | 1.417 inch | | |

Temperatures

| | | | |
|---------------------|--------------------------------------|-----------------------|----------------|
| Storage temperature | -40 °C...60 °C | Operating temperature | -40 °C...60 °C |
| Humidity | 35 % to 85 % relative humidity level | | |

Environmental Product Compliance

| | |
|------------|----------------|
| REACH SVHC | Lead 7439-92-1 |
|------------|----------------|

Rated data UL

| | |
|-------------------------|---------|
| Certificate No. (cURus) | E312083 |
|-------------------------|---------|

Control side

| | | | |
|--------------------------------|-------------------------|-----------------------|-----------|
| Coil resistance | 400 Ω \pm 10 % | Power rating | 1.5 W |
| Pull-in/drop-out voltage, typ. | 18 V / 2.4 V DC | Rated control voltage | 24 V DC |
| Rated current DC | 60 mA | Status indicator | Green LED |

Load side

| | | | |
|---|----------------|----------------------------|--------------|
| AC switching capacity (resistive), max. | 8000 VA | Continuous current | 16 A |
| DC switching capacity (resistive), max. | 2200 W @ 220 V | Inrush current | 80 A / 50 ms |
| Max. switching frequency at rated load | 0.1 Hz | Max. switching voltage, DC | 300 V |
| Min. switching power | 100 mA @ 12 V | Rated switching voltage | 500 V AC |
| Switch-off delay | \leq 20 ms | Switch-on delay | \leq 20 ms |

Contact data

| | | | |
|-------------------------|---|--------------------|----------------------|
| Contact type | 1 CO contact (AgSnO ₂ , AgSnO) | Contact resistance | \leq 50 m Ω |
| Mechanical service life | 10 x 10 ⁶ switching cycles | | |

General data

| | | |
|--------------------------------------|--------------------------|------------------------|
| Test button | yes (lockable) | |
| Mechanical switch position indicator | Yes | |
| Colour | Transparent | |
| UL94 flammability rating component | Component | Housing |
| | UL94 flammability rating | V-2 |
| | Component | Relay baseplate |
| | UL94 flammability rating | V-0 |
| | Component | Relay status indicator |
| | UL94 flammability rating | HB |
| | Component | Relay test button |
| | UL94 flammability rating | HB |

DRH173024LT

Weidmüller Interface GmbH & Co. KG

Klingenbergstraße 26

D-32758 Detmold

Germany

www.weidmueller.com

Technical data

Insulation coordination

| | | | |
|--|-----------------------------|-------------------------------------|-----------------------------|
| Creepage and clearance distance input – output | ≥ 8 mm | Dielectric strength of open contact | 4 kV _{eff} / 1 min |
| Dielectric strength, Input/Output | 4 kV _{eff} / 1 min | Insulating material group | IIIa |
| Insulation coordination according to | EN 61810-1:2008 | Pollution severity | 3 |
| Protection degree | IP20 | Rated voltage | 500 V |
| Surge voltage category | III | | |

Further details of approvals / standards

| | | | |
|-----------|--|-------------------------|---------|
| Standards | IEC 61810-1, EN 60664-1:2007, EN 61000-6-2:2005, EN 61000-6-4:2007 + A1:2011, UL 508 | Certificate No. (cURus) | E312083 |
|-----------|--|-------------------------|---------|

Connection data

| | |
|------------------------|---|
| Wire connection method | Flat blade connections (4.8 mm x 0.5 mm) |
|------------------------|---|

Classifications

| | | | |
|-------------|-------------|-------------|-------------|
| ETIM 6.0 | EC001437 | ETIM 7.0 | EC001437 |
| ECLASS 9.0 | 27-37-16-01 | ECLASS 9.1 | 27-37-16-01 |
| ECLASS 10.0 | 27-37-16-01 | ECLASS 11.0 | 27-37-16-01 |

Approvals

Approvals



| | |
|-----------------------|---------|
| ROHS | Conform |
| UL File Number Search | E312083 |

Downloads

| | |
|---|---|
| Approval/Certificate/Document of Conformity | EU Konformitätserklärung / EU Declaration of Conformity |
| Engineering Data | STEP |
| Engineering Data | EPLAN, WSCAD |

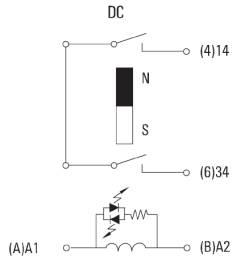
DRH173024LT

Weidmüller Interface GmbH & Co. KG
 Klingenbergstraße 26
 D-32758 Detmold
 Germany

www.weidmueller.com

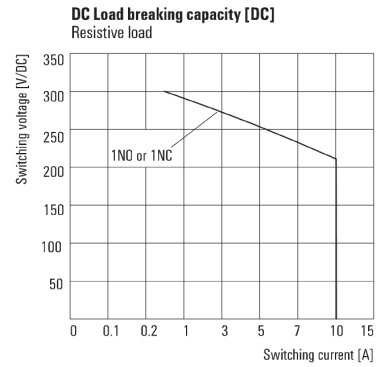
Drawings

Wiring diagram



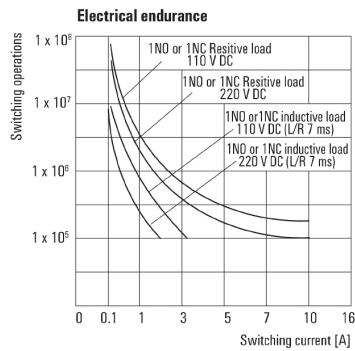
View of Pins from below

Graph



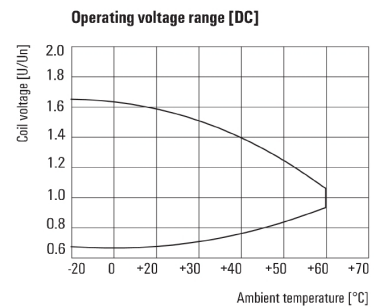
DC load limit curve
Resistive load

Graph



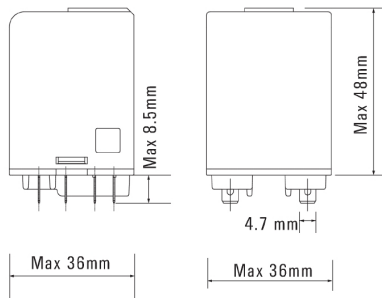
Electrical service life

Graph



DC operational voltage range

Dimensional drawing



Data sheet

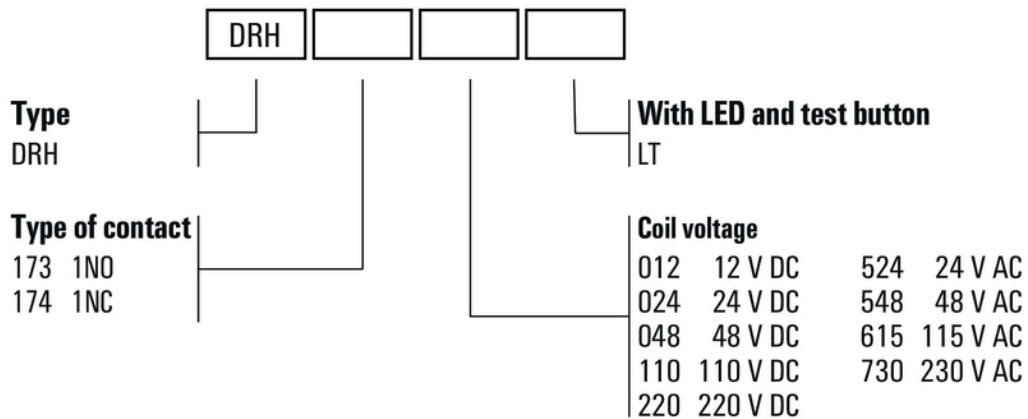
DRH173024LT

Weidmüller Interface GmbH & Co. KG
 Klingenbergstraße 26
 D-32758 Detmold
 Germany

www.weidmueller.com

Drawings

Miscellaneous



Type codes