

RCM370R24**Weidmüller Interface GmbH & Co. KG**

Klingenbergstraße 26

D-32758 Detmold

Germany

www.weidmueller.com

Product image

Similar to illustration

Individual relays within the RIDERSERIES RCM

- 3 CO contacts
- Optional AC or DC coils
- With test button and integrated status LED

General ordering data

| | |
|------------|--|
| Version | RIDERSERIES RCM, Relay, Number of contacts: 3, CO contact AgNi 90/10, Rated control voltage: 24 V AC, Continuous current: 10 A, Plug-in connection |
| Order No. | 8689950000 |
| Type | RCM370R24 |
| GTIN (EAN) | 4032248360628 |
| Qty. | 10 pc(s). |

Creation date March 29, 2021 11:04:41 PM CEST

Catalogue status 12.03.2021 / We reserve the right to make technical changes.

RCM370R24

Weidmüller Interface GmbH & Co. KG

Klingenbergstraße 26

D-32758 Detmold

Germany

www.weidmueller.com

Technical data

Dimensions and weights

| | | | |
|----------------|------------|-----------------|------------|
| Depth | 29 mm | Depth (inches) | 1.142 inch |
| Height | 28 mm | Height (inches) | 1.102 inch |
| Net weight | 30.6 g | Width | 22.5 mm |
| Width (inches) | 0.886 inch | | |

Temperatures

| | | | |
|---------------------|--|-----------------------|----------------|
| Storage temperature | -40 °C...85 °C | Operating temperature | -40 °C...70 °C |
| Humidity | 40 °C / 93 % rel. humidity, no condensation | | |

Rated data UL

| | |
|-------------------------|---------|
| Certificate No. (cURus) | E224238 |
|-------------------------|---------|

Control side

| | | | |
|--------------------------------|-------------------|-----------------------|----------|
| Coil resistance | 192 Ω ± 10 % | Power rating | 1080 mVA |
| Pull-in/drop-out voltage, typ. | 19.2 V / 7.2 V AC | Rated control voltage | 24 V AC |
| Rated current AC | 45 mA | Status indicator | red LED |

Load side

| | | | |
|---|--------------|----------------------|---|
| AC switching capacity (resistive), max. | 2500 VA | Continuous current | 10 A |
| DC switching capacity (resistive), max. | 240 W @ 24 V | Inrush current | 20 A / 20 ms |
| Max. switching frequency at rated load | 0.1 Hz | Min. switching power | 1 mA @ 24 V, 10 mA @ 12 V, 100 mA @ 5 V |
| Rated switching voltage | 250 V AC | Switch-off delay | ≤ 10 ms |
| Switch-on delay | ≤ 15 ms | | |

Contact data

| | | | |
|--------------|---------------------------|-------------------------|--|
| Contact type | 3 CO contact (AgNi 90/10) | Mechanical service life | AC coil 20 x 10 ⁶ switching cycles, DC coil 30 x 10 ⁶ switching cycles |
|--------------|---------------------------|-------------------------|--|

General data

| | | | |
|-------------|----------------|--------------------------------------|-----|
| Test button | yes (lockable) | Mechanical switch position indicator | Yes |
| Colour | Transparent | UL 94 flammability rating | V-2 |

Insulation coordination

| | | | |
|--|--------------------------------|--|--------------------------------|
| Creepage and clearance distance input – output | ≥ 4 mm | Dielectric strength of neighbouring contacts | 2.5 kV _{eff} / 1 Min. |
| Dielectric strength of open contact | 1.2 kV _{eff} / 1 min. | Dielectric strength, Input/Output | 2.5 kV _{eff} / 1 Min. |
| Impulse withstand voltage | 5 kV (1.2/50 μs) | Insulating material group | IIIa |
| Pollution severity | 2 | Protection degree | IP20 |
| Rated voltage | 250 V | Surge voltage category | III |

Further details of approvals / standards

| | | | |
|-----------------------|--------------------|-------------------------|----------------|
| Standards | IEC 61810-1, UL508 | Certificate No. (CSA) | 249409-2426937 |
| Certificate No. (VDE) | 40011762 | Certificate No. (cURus) | E224238 |

Creation date March 29, 2021 11:04:41 PM CEST

Catalogue status 12.03.2021 / We reserve the right to make technical changes.

2

RCM370R24

Weidmüller Interface GmbH & Co. KG
 Klingenbergstraße 26
 D-32758 Detmold
 Germany

www.weidmueller.com

Technical data

Connection data

Wire connection method Plug-in connection

Classifications

| | | | |
|-------------|-------------|-------------|-------------|
| ETIM 6.0 | EC001437 | ETIM 7.0 | EC001437 |
| ECLASS 9.0 | 27-37-16-01 | ECLASS 9.1 | 27-37-16-01 |
| ECLASS 10.0 | 27-37-16-01 | ECLASS 11.0 | 27-37-16-01 |

Approvals

Approvals



ROHS Conform
 UL File Number Search E224238

Downloads

| | |
|---|---|
| Approval/Certificate/Document of Conformity | EU Konformitätserklärung / EU Declaration of Conformity |
| Engineering Data | STEP |
| Engineering Data | EPLAN, WSCAD |

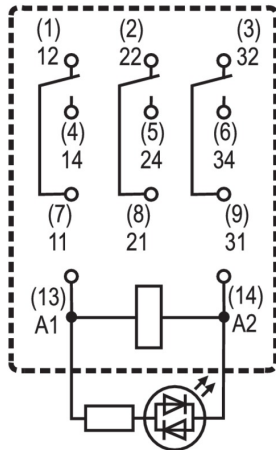
RCM370R24

Weidmüller Interface GmbH & Co. KG
 Klingenbergstraße 26
 D-32758 Detmold
 Germany

www.weidmueller.com

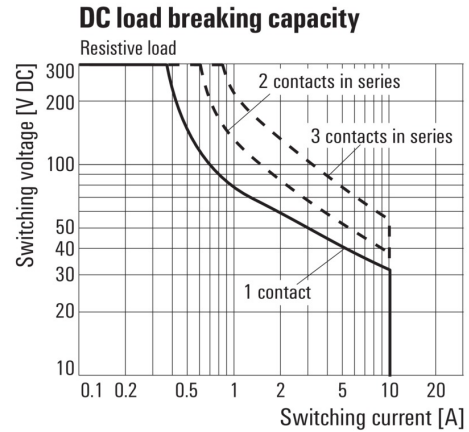
Drawings

Wiring diagram



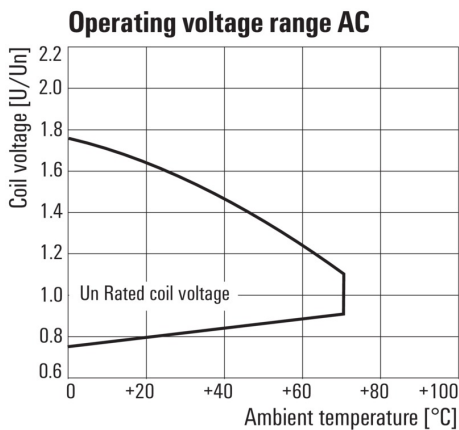
View of Pins from below

Graph



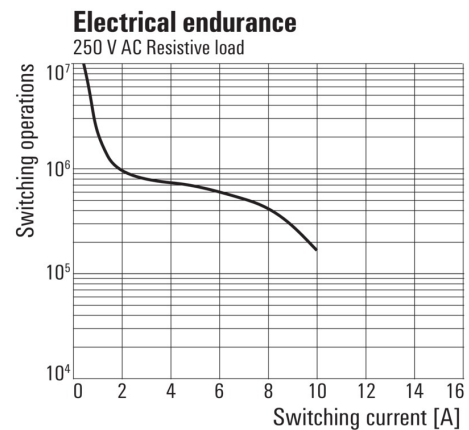
DC load limit curve
 Resistive load

Graph



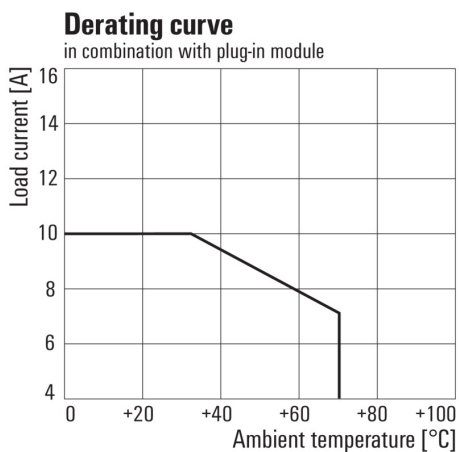
AC operational voltage range

Graph



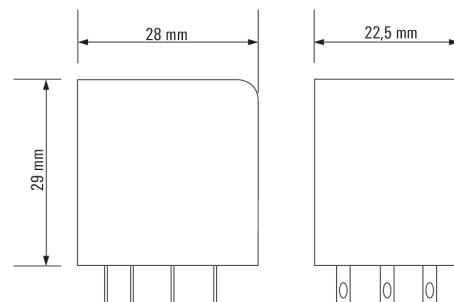
Electrical service life
 250 V AC resistive load

Graph



Derating curve
 Relay in combination with base

Dimensional drawing



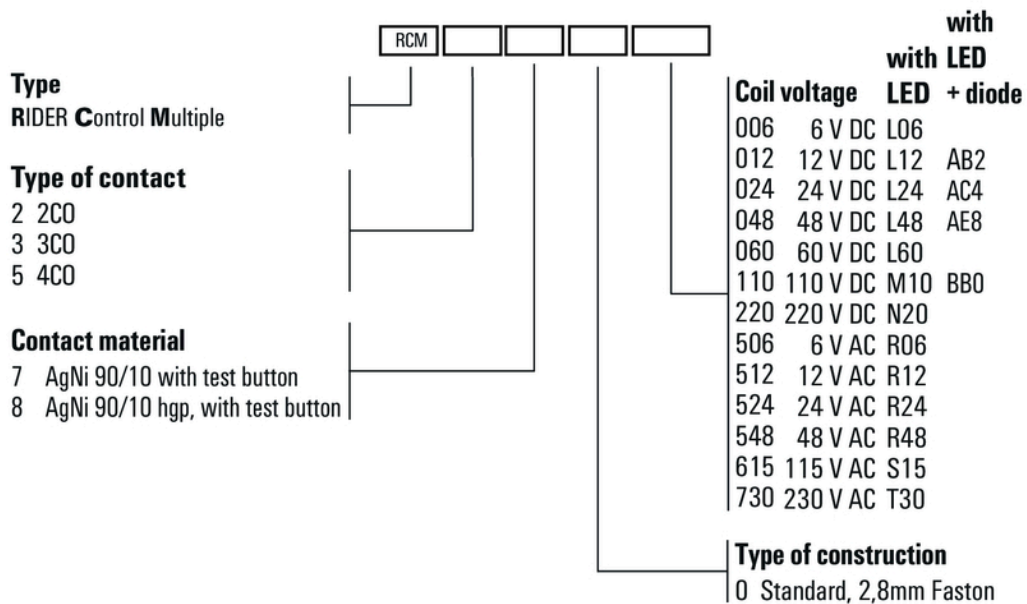
RCM370R24

Weidmüller Interface GmbH & Co. KG
 Klingenbergstraße 26
 D-32758 Detmold
 Germany

www.weidmueller.com

Drawings

Miscellaneous



Type codes