



Main

Range of product	Modicon Premium Automation platform
Product or component type	Discrete input module
Discrete input number	32 current sink isolated conforming to EN/IEC 61131-2 type 1
Discrete input voltage	24 V DC positive
Sensor power supply	19...30 V
Discrete input current	3.5 mA

Complementary

Voltage state 1 guaranteed	≥ 11 V
Current state 1 guaranteed	≥ 3 mA
Voltage state 0 guaranteed	≤ 5 V
Current state 0 guaranteed	≤ 1.5 mA
Input impedance	6300 Ohm at state 1
Response time	≤ 7 ms 4 ms
Isolation resistance	< 10 MOhm 500 V DC
Power dissipation	(1 W + 0.1 W x No of channels used)
Electrical connection	HE-10 connector
Marking	CE
Current consumption	160 mA 24 V DC 135 mA 5 V DC
Module format	Standard
Product weight	0.3 kg

Environment

Dielectric strength	1500 V AC at 50/60 Hz
Standards	73/23/EEC 89/336/EEC 92/31/EEC 93/68/EEC CSA 22-2 No 142 CSA 22-2 No 213 Class I Division 2 Group A CSA 22-2 No 213 Class I Division 2 Group B CSA 22-2 No 213 Class I Division 2 Group C CSA 22-2 No 213 Class I Division 2 Group D EN/IEC 61131-2 IEC 60664 UL 508
Product certifications	ABS BV DNV GL LR RINA RMRS
Ambient air temperature for operation	0...60 °C
Ambient air temperature for storage	-25...70 °C
Relative humidity	5...95 % without condensation for storage 10...95 % without condensation for operation

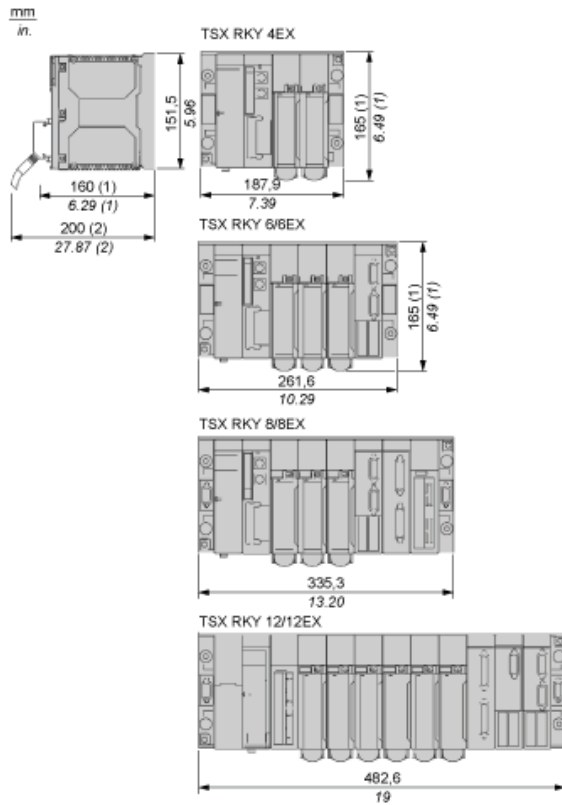
Operating altitude	0...2000 m
Protective treatment	Conformal coating Humiseal 1A33 TC
IP degree of protection	IP20
Pollution degree	2

Offer Sustainability

Sustainable offer status	Not Green Premium product
RoHS	Compliant - since 0843 - Schneider Electric declaration of conformity download declaration of conformity

Standard and Extendable Racks for Modules Mounting

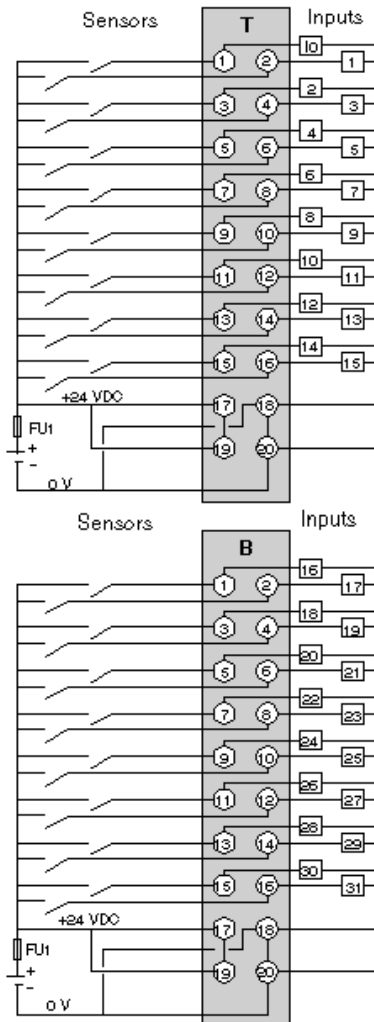
Dimensions of Modules and Racks



- (1) With screw terminal block modules.
- (2) Maximum depth for all types of modules and their associated connectors.

24 Vdc Discrete Input 32-Channel Module

Wiring Diagram



FU1 0.5 A quick-blow fuse