



Main

Range of product	Modicon M340 automation platform
Product or component type	Power supply module
Backplane compatibility	Not compatible with BMEXBP..02
Product specific application	For severe environments
Primary voltage	24..48 V isolated
Supply circuit type	DC
Total useful secondary power	<= 23.4 W at -25...70 °C <= 31.2 W at 0...60 °C
Secondary power	23.4 W 24 V DC at -25...70 °C I/O module power supply and processor 11.3 W 3.3 V DC at -25...70 °C I/O module logic power supply 31.2 W 24 V DC at 0...60 °C I/O module power supply and processor 15 W 3.3 V DC at 0...60 °C I/O module logic power supply

Complementary

Primary voltage limit	18...62.4 V
Power supply input current	1.65 A 24 V 0.83 A 48 V
Inrush current	60 A 48 V 30 A 24 V
I ² t on activation	<= 3 A ² .s 48 V <= 1 A ² .s 24 V
It on activation	<= 0.3 A.s 48 V <= 0.2 A.s 24 V
Protection type	Short-circuit protection secondary circuit, 24 V sensor power supply Overvoltage protection secondary circuit, 24 V sensor power supply Overload protection secondary circuit, 24 V sensor power supply Internal fuse not accessible primary circuit
Current at secondary voltage	4.5 A 3.3 V DC I/O module logic power supply 1.3 A 24 V DC I/O module power supply and processor
Power dissipation in W	<= 8.5 W
Status LED	1 LED green rack voltage OK
Control type	RESET push-button cold restart
Electrical connection	1 connector 5 pin(s) line supply, protective earth 1 connector 2 pin(s) alarm relay
Cable length	15 m power supply cable copper 2.5 mm ² 10 m power supply cable copper 1.5 mm ²
Insulation resistance	>= 10 mOhm primary/secondary >= 10 mOhm primary/ground
Product weight	0.34 kg

Environment

Immunity to microbreaks	<= 1 ms
Dielectric strength	1500 V primary/secondary 1500 V primary/ground
IP degree of protection	IP20
Standards	IACS E10
Ambient air temperature for storage	-40...85 °C
Ambient air temperature for operation	-25...70 °C

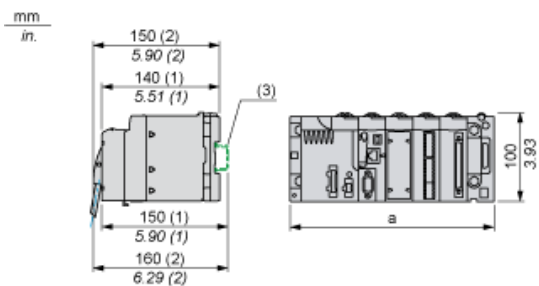
Relative humidity	10...95 % without condensation
Protective treatment	Conformal coating Humiseal 1A33 TC
Environmental characteristic	3C4 conforming to EN/IEC 60721-3-3 3C3 conforming to EN/IEC 60721-3-3

Offer Sustainability

Sustainable offer status	Not Green Premium product
RoHS (date code: YYWW)	Compliant - since 0911 - Schneider Electric declaration of conformity
REACH	Reference contains SVHC above the threshold - go to CaP for more details
Product environmental profile	Available Download Product Environmental

Modules Mounted on Racks

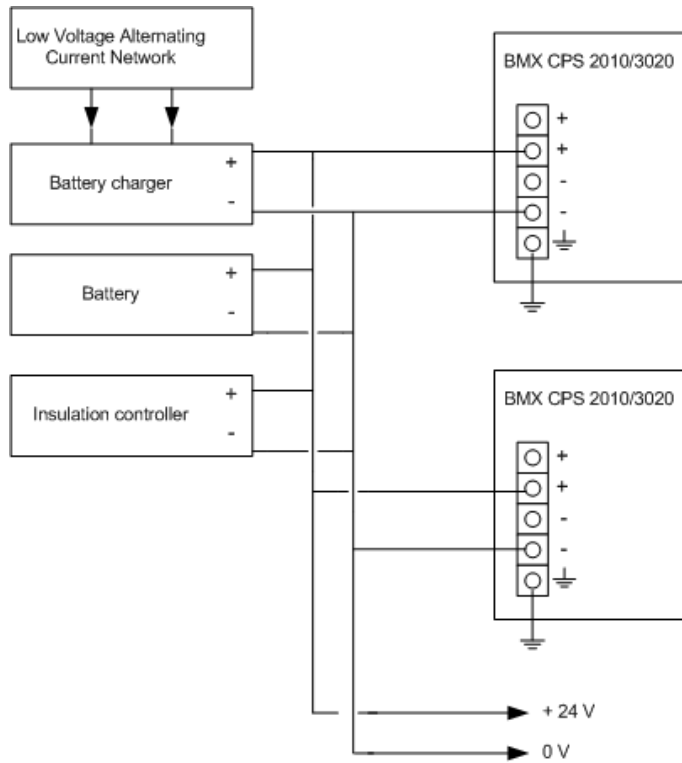
Dimensions



- (1) With removable terminal block (cage, screw or spring).
- (2) With FCN connector.
- (3) On AM1 ED rail: 35 mm wide, 15 mm deep. Only possible with BMXXBP0400/0400H/0600/0600H/0800/0800H rack.

Rack references	a in mm	a in in.
BMXXBP0400 and BMXXBP0400H	242.4	09.54
BMXXBP0600 and BMXXBP0600H	307.6	12.11
BMXXBP0800 and BMXXBP0800H	372.8	14.68
BMXXBP1200 and BMXXBP1200H	503.2	19.81

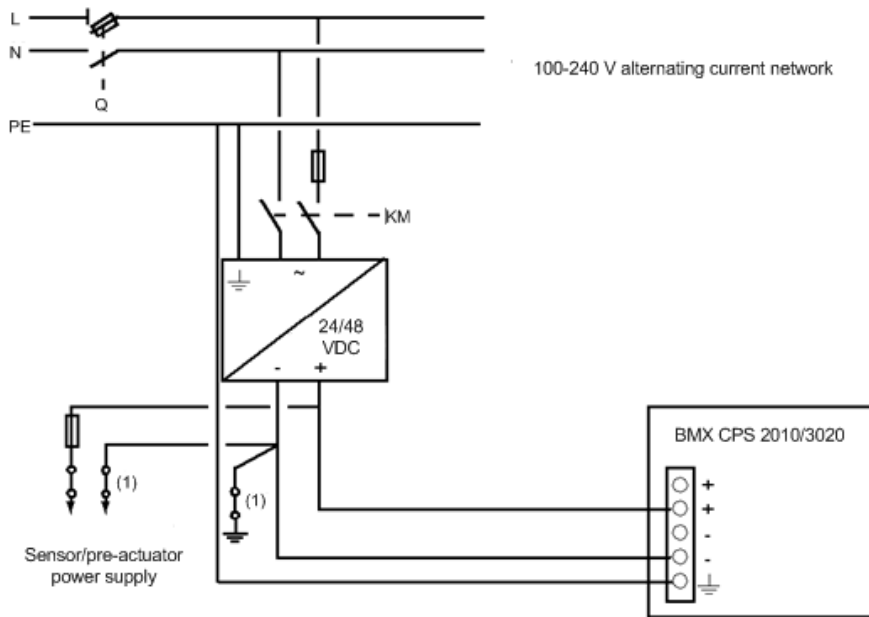
Connection of Direct Current Power Supply Modules to a 24 Vdc or 48 Vdc Floating Direct Current Network



24 VDC floating network for the power supply of sensors, actuators and input/out modules.

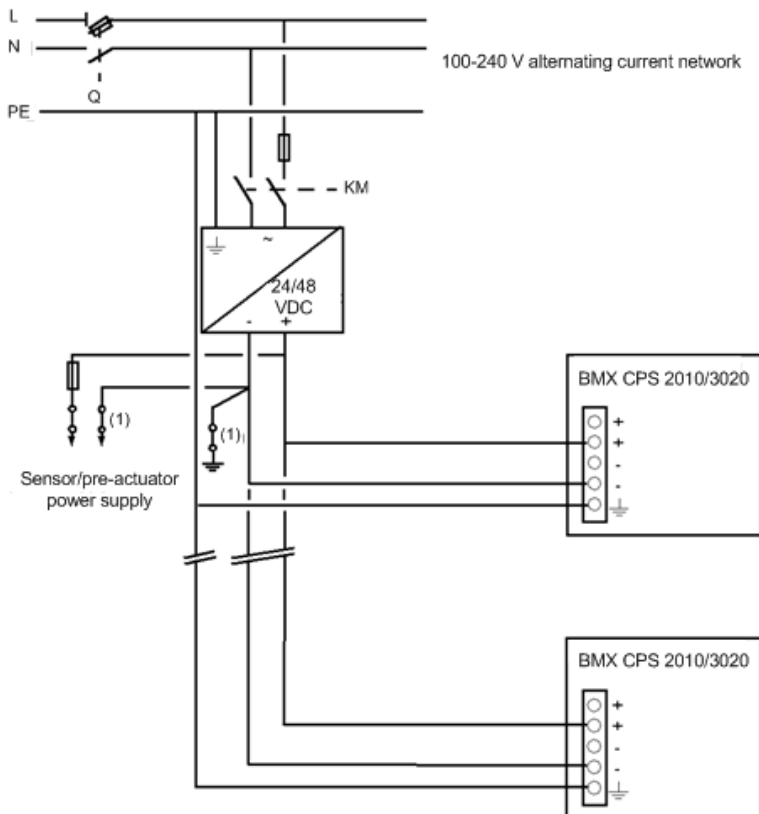
Connection of Direct Current Power Supply Modules to an Alternating Current Network

Connection of a Single Rack PLC Station



- Q General isolator
- KM Line contactor or circuit breaker
- (1) Insulation connector bar for locating grounding errors

Connection of a Multi-Rack PLC Station



- Q General isolator
- KM Line contactor or circuit breaker
- (1) Insulation connector bar for locating grounding errors