



### Main

|                           |   |
|---------------------------|---|
| Range of product          | Modicon Quantum automation platform           |
| Product or component type | Analogue input module                         |
| Type of filter            | Single pole low pass - 3 dB at 15 Hz +/- 20 % |

### Complementary

|   |  |
|---|--|
| Analogue input number                   | 8  |
| Input type                              | Differential   |
| Addressing requirement                  | 9 input words  |
| Analogue input resolution               | 12 bits  |
| Linear measuring range                  | 1...5 V<br>4...20 mA   |
| Absolute maximum input                  | 50 V DC<br>25 mA   |
| Input impedance                         | 250 Ohm current +/- 0.01 %<br>> 20 MOhm voltage  |
| Absolute accuracy error                 | +/- 0.1 % of full scale maximum<br>+/- 0.05 % of full scale  |
| Linearity error                         | +/- 0.04 %   |
| Accuracy drift according to temperature | <= 0.005 % of full scale/°C<br>+/- 0.0025 % of full scale/°C   |
| Common mode rejection                   | > -72 dB 60 Hz   |
| Isolation between channels and bus      | 3000 V DC for 60 s<br>1000 V DC  |
| Isolation between channels              | 30 V DC  |
| Update time                             | 5 ms   |
| Fault type                              | Undervoltage range 1...5 V<br>Broken wire 4...20 mA  |
| Marking                                 | CE   |
| Local signalling                        | 8 LEDs red channel fault<br>8 LEDs green channel is turned on<br>1 LED red external fault<br>1 LED green bus communication is present (Active) |
| Bus current requirement                 | 240 mA   |
| Power dissipation in W                  | 2 W  |
| Module format                           | Standard   |
| Product weight                          | 0.3 kg   |

The information provided in this documentation contains general descriptions and/or technical characteristics of the performance of the products contained herein. This documentation is not intended as a substitute for and is not to be used for determining suitability or reliability of these products for specific user applications. It is the duty of any such user or integrator to perform the appropriate and complete risk analysis, evaluation and testing of the products with respect to the relevant specific application or use thereof. Neither Schneider Electric Industries SAS nor any of its affiliates or subsidiaries shall be responsible or liable for misuse of the information contained herein.

## Environment

|                                       |   |
|---------------------------------------|---|
| Standards                             | CSA C22.2 No 142<br>UL 508  |
| Product certifications                | CUL<br>FM Class 1 Division 2  |
| Resistance to electrostatic discharge | 8 kV on air conforming to IEC 801-2<br>4 kV contact conforming to IEC 801-2 |
| Resistance to electromagnetic fields  | 10 V/m 80...1000 MHz conforming to IEC 801-3                                |
| Ambient air temperature for operation | 0...60 °C   |
| Ambient air temperature for storage   | -40...85 °C   |
| Relative humidity                     | 95 % without condensation   |
| Operating altitude                    | <= 5000 m   |

## Offer Sustainability

|                                  |   |
|----------------------------------|---|
| Sustainable offer status         | Green Premium product   |
| RoHS (date code: YYWW)           | Compliant - since 0852 - <a href="#">Schneider Electric declaration of conformity</a> |
| REACH                            | Reference not containing SVHC above the threshold                                     |
| Product environmental profile    | Available <a href="#">Download Product Environmental</a>                              |
| Product end of life instructions | Need no specific recycling operations   |

Racks for Modules Mounting

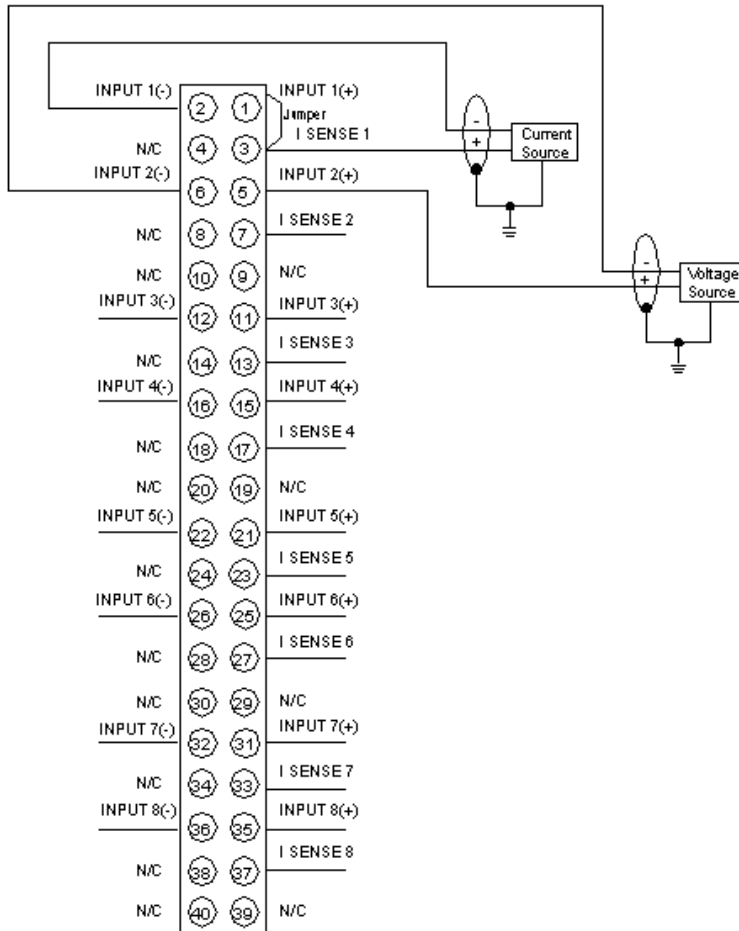
Dimensions of Modules and Racks



- (1) 2 slots
- (2) 3 slots
- (3) 4 slots
- (4) 6 slots
- (5) 10 slots
- (6) 16 slots

Analog Input 8-Channel Unipolar Module

Wiring Diagram



N/C Not Connected

The maximum channel to channel working voltage cannot exceed 30 Vdc.