

**DRI424024LTD****Weidmüller Interface GmbH & Co. KG**

Klingenbergstraße 26

D-32758 Detmold

Germany

www.weidmueller.com

**Product image**

Individual relays within the D-SERIES DRI

- 2 CO contact
- DC coils
- With integrated status LED, free-wheeling diode and test button

**General ordering data**

Version	D-SERIES DRI, Relay, Number of contacts: 2, CO contact AgSnO, Rated control voltage: 24 V DC, Continuous current: 5 A, Flat blade connections (2.5 mm x 0.5 mm)
Order No.	<a href="#">7760056340</a>
Type	DRI424024LTD
GTIN (EAN)	6944 169739873
Qty.	20 pc(s).

Creation date March 29, 2021 8:52:31 PM CEST

Catalogue status 12.03.2021 / We reserve the right to make technical changes.

## DRI424024LTD

Weidmüller Interface GmbH &amp; Co. KG

Klingenbergstraße 26

D-32758 Detmold

Germany

www.weidmueller.com

## Technical data

## Dimensions and weights

Depth	33.5 mm	Depth (inches)	1.319 inch
Height	31 mm	Height (inches)	1.22 inch
Net weight	19.5 g	Width	13 mm
Width (inches)	0.512 inch		

## Temperatures

Storage temperature	-40 °C...85 °C	Operating temperature	-40 °C...55 °C
Humidity	35...85 % rel. humidity, no condensation		

## Environmental Product Compliance

REACH SVHC	Lead 7439-92-1
------------	----------------

## Rated data UL

Certificate No. (cURus)	E312083
-------------------------	---------

## Control side

Coil resistance	1100 $\Omega$ $\pm$ 10 %	Power rating	530 mW
Protective circuit	Free-wheeling diode	Pull-in/drop-out voltage, typ.	18 V / 3.6 V DC
Rated control voltage	24 V DC	Rated current DC	21,8 mA
Status indicator	Green LED		

## Load side

AC switching capacity (resistive), max.	1250 VA	Continuous current	5 A
DC switching capacity (resistive), max.	150 W @ 24 V	Max. switching frequency at rated load	0.1 Hz
Max. switching voltage, DC	250 V	Min. switching power	10 mA @ 24 V, 10 mA @ 12 V, 100 mA @ 5 V
Rated switching voltage	250 V AC	Switch-off delay	$\leq$ 10 ms
Switch-on delay	$\leq$ 15 ms		

## Contact data

Contact type	2 CO contact (AgSnO)	Mechanical service life	10 x 10 <sup>6</sup> switching cycles
--------------	----------------------	-------------------------	---------------------------------------

## General data

Test button	yes (lockable)		
Mechanical switch position indicator	Yes		
Colour	Transparent		
UL94 flammability rating component	Component	Relay cover	
	UL94 flammability rating	V-2	
	Component	Relay baseplate	
	UL94 flammability rating	V-0	
	Component	Relay status indicator	
	UL94 flammability rating	HB	
	Component	Relay test button	
	UL94 flammability rating	HB	

## DRI424024LTD

Weidmüller Interface GmbH &amp; Co. KG

Klingenbergstraße 26

D-32758 Detmold

Germany

www.weidmueller.com

## Technical data

## Insulation coordination

Creepage and clearance distance input – output	≥ 4 mm	Dielectric strength of neighbouring contacts	1.5 kV <sub>eff</sub> / 1 min.
Dielectric strength of open contact	1 kV <sub>eff</sub> / 1 min	Dielectric strength, Input/Output	5 kV <sub>eff</sub> / 1 min
Impulse withstand voltage	5 kV (1.2/50 μs)	Insulating material group	IIIa
Pollution severity	2	Protection degree	IP20
Rated voltage	300 V	Surge voltage category	III

## Further details of approvals / standards

Standards	IEC 61810-1, EN 60664-1:2007, EN 61000-6-2:2005, EN 61000-6-4:2007 + A1:2011, UL 508	Certificate No. (cURus)	E312083
-----------	--	-------------------------	---------

## Connection data

Wire connection method	Flat blade connections (2.5 mm x 0.5 mm)
------------------------	---

## Classifications

ETIM 6.0	EC001437	ETIM 7.0	EC001437
ECLASS 9.0	27-37-16-01	ECLASS 9.1	27-37-16-01
ECLASS 10.0	27-37-16-01	ECLASS 11.0	27-37-16-01

## Approvals

Approvals



ROHS	Conform
UL File Number Search	E312083

## Downloads

Approval/Certificate/Document of Conformity	<a href="#">EU Konformitätserklärung / EU Declaration of Conformity</a>
Engineering Data	<a href="#">STEP</a>
Engineering Data	<a href="#">EPLAN, WSCAD</a>

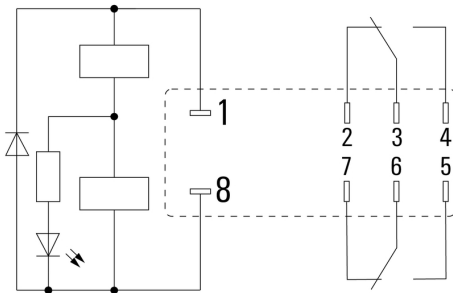
**DRI424024LTD**

**Weidmüller Interface GmbH & Co. KG**  
 Klingenbergstraße 26  
 D-32758 Detmold  
 Germany

www.weidmueller.com

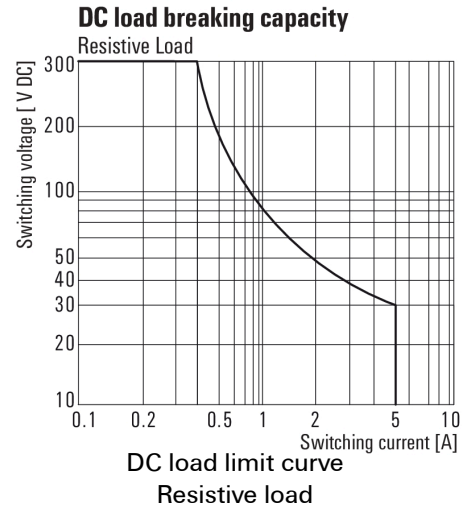
**Drawings**

**Wiring diagram**

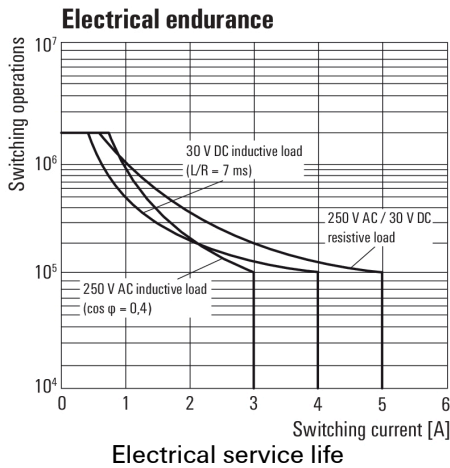


View of Pins from below

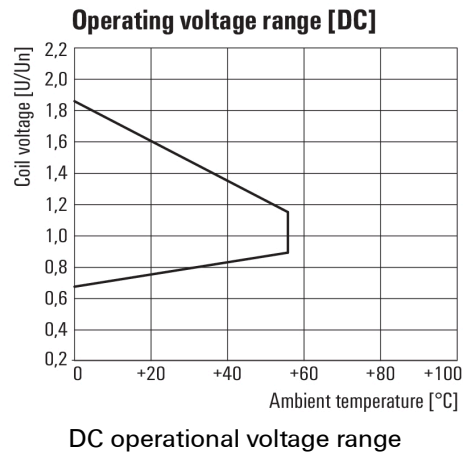
**Graph**



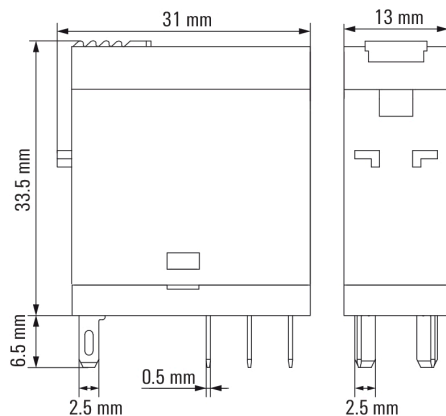
**Graph**



**Graph**



**Dimensional drawing**



**DRI424024LTD**

**Weidmüller Interface GmbH & Co. KG**  
 Klingenbergstraße 26  
 D-32758 Detmold  
 Germany

www.weidmueller.com

**Drawings**

**Miscellaneous**



Type codes