

SAID-M12BL-5-SMT

Weidmüller Interface GmbH & Co. KG
Klingenbergstraße 26
D-32758 Detmold
Germany

www.weidmueller.com



General ordering data

Version	Built-in plugs, M12, M 16, Number of poles: 5
Order No.	2530820000
Type	SAID-M12BL-5-SMT
GTIN (EAN)	4050 118540949
Qty.	60 pc(s).

Creation date March 29, 2021 6:50:12 PM CEST

Catalogue status 12.03.2021 / We reserve the right to make technical changes.

SAID-M12BL-5-SMT**Weidmüller Interface GmbH & Co. KG**

Klingenbergstraße 26

D-32758 Detmold

Germany

www.weidmueller.com

Technical data**Dimensions and weights**

Net weight	1.517 g
------------	---------

Environmental Product Compliance

REACH SVHC	Lead 7439-92-1
------------	----------------

Technical data of PCB plug-in connector

Coding	L	Number of poles	5
Rated voltage	63 V	Rated current	16 A
Rated current	16 A	Protection degree	IP67, when fully mounted
Contact surface	Gold over nickel	Housing main material	PA
Connection thread	M12	Tightening torque	M12: 0.8 - 1.2 Nm
Mounting thread	M 16	Mounting onto the PCB	SMD solder connection
Plugging cycles	500	Contact material	Cu

General Info

Housing main material	PA	Connection thread	M12
Contact material	Cu	Contact surface	Gold over nickel
Protection degree	IP67, when fully mounted	Plugging cycles	500

Classifications

ETIM 6.0	EC000438	ETIM 7.0	EC003557
ECLASS 9.1	27-44-02-05	ECLASS 10.0	27-44-02-23
ECLASS 11.0	27-44-02-23		

Approvals

ROHS	Conform
------	---------

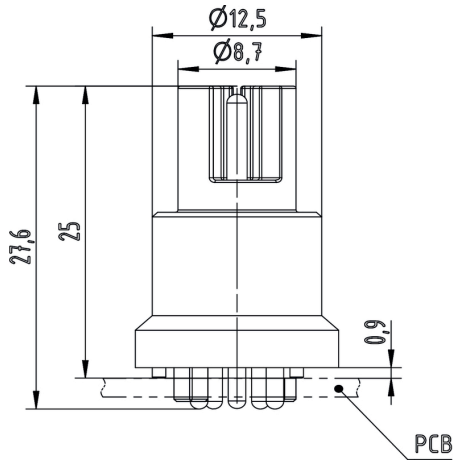
SAID-M12BL-5-SMT

Weidmüller Interface GmbH & Co. KG
 Klingenbergstraße 26
 D-32758 Detmold
 Germany

www.weidmueller.com

Drawings

Dimensioned drawing



PCB design

