

ACT20P-AI-AO-AC-P

Weidmüller Interface GmbH & Co. KG
Klingenbergstraße 26
D-32758 Detmold
Germany

www.weidmueller.com

Similar to illustration



ACT20P: The flexible solution

- Precise and highly functional signal converters
- Release levers simplify handling

General ordering data

Version	Signal converter/isolator, 90...264 V AC power supply, Input : I/U universal, Output : I/U universal
Order No.	2495700000
Type	ACT20P-AI-AO-AC-P
GTIN (EAN)	4050118505986
Qty.	1 pc(s).

Creation date March 29, 2021 5:58:54 PM CEST

Catalogue status 12.03.2021 / We reserve the right to make technical changes.

ACT20P-AI-AO-AC-P**Weidmüller Interface GmbH & Co. KG**

Klingenbergstraße 26

D-32758 Detmold

Germany

www.weidmueller.com

Technical data**Dimensions and weights**

Depth	113.7 mm	Depth (inches)	4.476 inch
Height	127.1 mm	Height (inches)	5.004 inch
Net weight	80 g	Width	12.5 mm
Width (inches)	0.492 inch		

Temperatures

Storage temperature	-25 °C...70 °C	Humidity	10...90 %, no condensation
---------------------	----------------	----------	----------------------------

Environmental Product Compliance

REACH SVHC	Lead 7439-92-1
------------	----------------

Input

Input current	configurable, 0-22 mA (min. measurement range 4 mA)	Input resistance, current	100 Ω
Input resistance, voltage	≥ 1 MΩ	Input voltage	configurable, 0-11 V (min. measurement range 2 V)
Number of inputs	1	Resolution	3.5 μA / 1.76 mV per bit
Sensor supply	24 V DC		

Output

Load impedance current	1 kΩ @ 20 mA	Number of outputs	1
Offset voltage	≤ 20 mV	Output current	Adjustable, 0...22 mA, Output range, min, 4 mA
Output voltage, note	Adjustable, 0...11 V, Output range, min, 2 V	load impedance voltage	> 600 Ω @ 10 V

General data

Configuration	DIP switch, Keys and LED display, with reference voltage/current sources	Galvanic isolation	3-way isolator, between input/output/supply
Linearity	< ± 0.1 % of signal range, Typ. ± 0.05 % of signal range	Long-term drift	0.1 % / 10.000 h
Power consumption, typ.	3 W	Rail	TS 35
Step response time	350 ms	Temperature coefficient	< 0.05 % / °C
Type of connection	PUSH IN	Voltage supply	90...264 V AC, 47 to 63 Hz

Insulation coordination

EMC standards	IEC 61326-1	Galvanic isolation	3-way isolator, between input/output/supply
Impulse withstand voltage	4 kV (1.2/50 μs)	Insulation voltage	2 kV inputs / outputs
Pollution severity	2	Surge voltage category	III

ACT20P-AI-AO-AC-P**Weidmüller Interface GmbH & Co. KG**

Klingenbergstraße 26

D-32758 Detmold

Germany

www.weidmueller.com

Technical data**Connection data**

Type of connection	PUSH IN	Wire connection cross section AWG, min.	AWG 26
Wire connection cross section AWG, max.	AWG 14	Wire cross-section, solid, min.	0.2 mm ²
Wire cross-section, solid, max.	2.5 mm ²	Wire connection cross section, finely stranded, min.	0.2 mm ²
Wire connection cross section, finely stranded, max.	2.5 mm ²	Wire connection cross-section, finely stranded with wire-end ferrules DIN 46228/4, min.	0.2 mm ²
Wire connection cross-section, finely stranded with wire-end ferrules DIN 46228/4, max.	2.5 mm ²		

Classifications

ETIM 6.0	EC002653	ETIM 7.0	EC002653
ECLASS 9.0	27-21-01-20	ECLASS 9.1	27-21-01-90
ECLASS 10.0	27-21-01-20	ECLASS 11.0	27-21-01-20

Important note

Product information	<p>The universally configurable DC isolating amplifier ACT20P-AI-AO-DC/AC-x isolates and converts analogue signals.</p> <p>An analogue input signal (current or voltage) is linearly converted into an analogue output signal (current or voltage) and galvanically isolated.</p> <p>The power supply is galvanically isolated from input and output (3-way isolation).</p> <p>Features</p> <ul style="list-style-type: none"> • Universally configurable via DIP switches and operating buttons • Active or passive signal input • Front LED indicates operation status • 3-way galvanic isolation between input, output and power supply
---------------------	---

Approvals

Approvals



ROHS

Conform

Downloads

Engineering Data	STEP
User Documentation	Instruction sheet

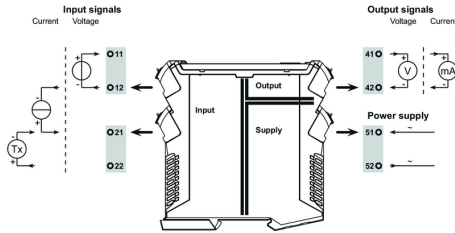
ACT20P-AI-AO-AC-P

Weidmüller Interface GmbH & Co. KG
 Klingenbergstraße 26
 D-32758 Detmold
 Germany

www.weidmueller.com

Drawings

Connection diagram

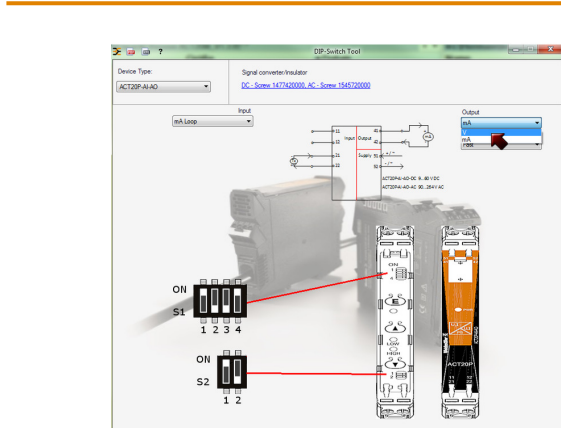
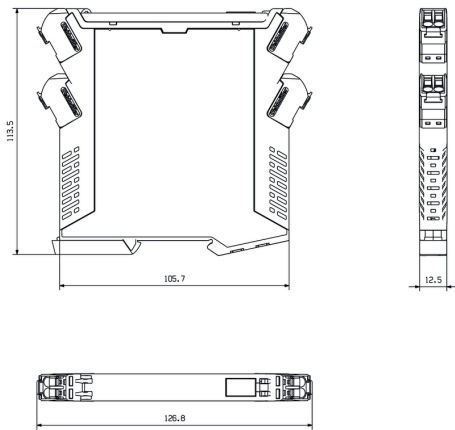


Type codes

Input			Output			
Input range	DIP switch S2		DIP switch S1			
	1	2	1	2	3	4
current	■					■
voltage		■			■	
filtered response				■		
fast response						■

■ = ON

Dimensioned drawing



PUSH IN technology

