

DRH174012LT**Weidmüller Interface GmbH & Co. KG**

Klingenbergstraße 26

D-32758 Detmold

Germany

www.weidmueller.com

Product image

Similar to illustration

DRH DC relays (with blow-out magnet)

- 1 NC contact with contact series connection
- Optional AC or DC coils
- With test button and Integrated status LED

General ordering data

Version	D-SERIES DRW / DRH, Relay, Number of contacts: 1, CO contact AgSnO ₂ , AgSnO, Rated control voltage: 12 V DC, Continuous current: 16 A, Flat blade connections (4.8 mm x 0.5 mm)
Order No.	1219940000
Type	DRH174012LT
GTIN (EAN)	4032248998418
Qty.	10 pc(s).

Creation date March 23, 2021 9:17:25 AM CET

Catalogue status 12.03.2021 / We reserve the right to make technical changes.

DRH174012LT

Weidmüller Interface GmbH & Co. KG

Klingenbergstraße 26

D-32758 Detmold

Germany

www.weidmueller.com

Technical data

Dimensions and weights

Depth	48 mm	Depth (inches)	1.89 inch
Height	36 mm	Height (inches)	1.417 inch
Net weight	84.2 g	Width	36 mm
Width (inches)	1.417 inch		

Temperatures

Storage temperature	-40 °C...60 °C	Operating temperature	-40 °C...60 °C
Humidity	35 % to 85 % relative humidity level		

Environmental Product Compliance

REACH SVHC	Lead 7439-92-1
------------	----------------

Rated data UL

Certificate No. (cURus)	E312083
-------------------------	---------

Control side

Coil resistance	100 Ω ± 10 %	Power rating	1.5 W
Pull-in/drop-out voltage, typ.	9 V / 1.2 V DC	Rated control voltage	12 V DC
Rated current DC	120 mA	Status indicator	Green LED

Load side

AC switching capacity (resistive), max.	8000 VA	Continuous current	16 A
DC switching capacity (resistive), max.	2200 W @ 220 V	Inrush current	80 A / 50 ms
Max. switching frequency at rated load	0.1 Hz	Max. switching voltage, DC	300 V
Min. switching power	100 mA @ 12 V	Rated switching voltage	500 V AC
Switch-off delay	≤ 20 ms	Switch-on delay	≤ 20 ms

Contact data

Contact type	1 CO contact (AgSnO ₂ , AgSnO)	Contact resistance	≤ 50 mΩ
Mechanical service life	10 x 10 ⁶ switching cycles		

General data

Test button	yes (lockable)	
Mechanical switch position indicator	Yes	
Colour	Transparent	
UL94 flammability rating component	Component	Housing
	UL94 flammability rating	V-2
	Component	Relay baseplate
	UL94 flammability rating	V-0
	Component	Relay status indicator
	UL94 flammability rating	HB
	Component	Relay test button
	UL94 flammability rating	HB

Creation date March 23, 2021 9:17:25 AM CET

Catalogue status 12.03.2021 / We reserve the right to make technical changes.

2

DRH174012LT

Weidmüller Interface GmbH & Co. KG

Klingenbergstraße 26

D-32758 Detmold

Germany

www.weidmueller.com

Technical data

Insulation coordination

Creepage and clearance distance input – output	≥ 8 mm	Dielectric strength, Input/Output	4 kV _{eff} / 1 min
Insulating material group	IIIa	Insulation coordination according to	EN 61810-1:2008
Pollution severity	3	Protection degree	IP20
Rated voltage	500 V	Surge voltage category	III

Further details of approvals / standards

Standards	IEC 61810-1, EN 60664-1:2007, EN 61000-6-2:2005, EN 61000-6-4:2007 + A1:2011, UL 508	Certificate No. (cURus)	E312083
-----------	--	-------------------------	---------

Connection data

Wire connection method	Flat blade connections (4.8 mm x 0.5 mm)
------------------------	--

Classifications

ETIM 6.0	EC001437	ETIM 7.0	EC001437
ECLASS 9.0	27-37-16-01	ECLASS 9.1	27-37-16-01
ECLASS 10.0	27-37-16-01	ECLASS 11.0	27-37-16-01

Approvals

Approvals



ROHS	Conform
UL File Number Search	E312083

Downloads

Approval/Certificate/Document of Conformity	EU Konformitätserklärung / EU Declaration of Conformity
Engineering Data	STEP
Engineering Data	EPLAN, WSCAD

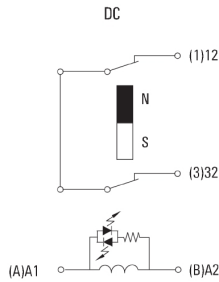
DRH174012LT

Weidmüller Interface GmbH & Co. KG
 Klingenbergstraße 26
 D-32758 Detmold
 Germany

www.weidmueller.com

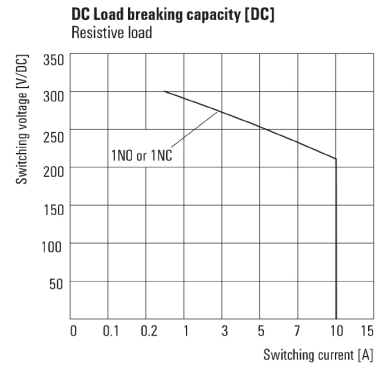
Drawings

Wiring diagram



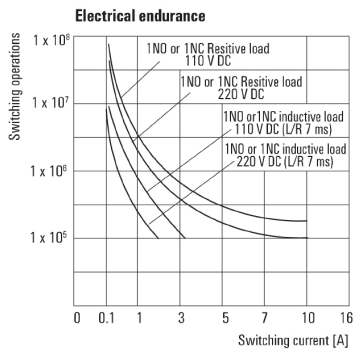
View of Pins from below

Graph



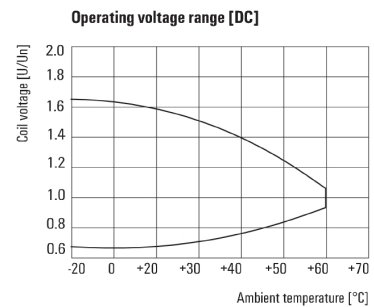
DC load limit curve Resistive load

Graph



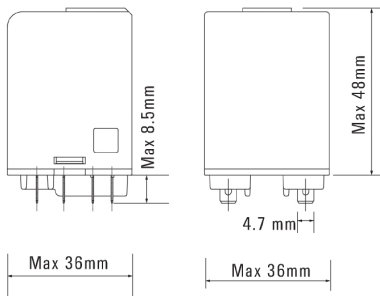
Electrical service life

Graph



DC operational voltage range

Dimensional drawing



Data sheet

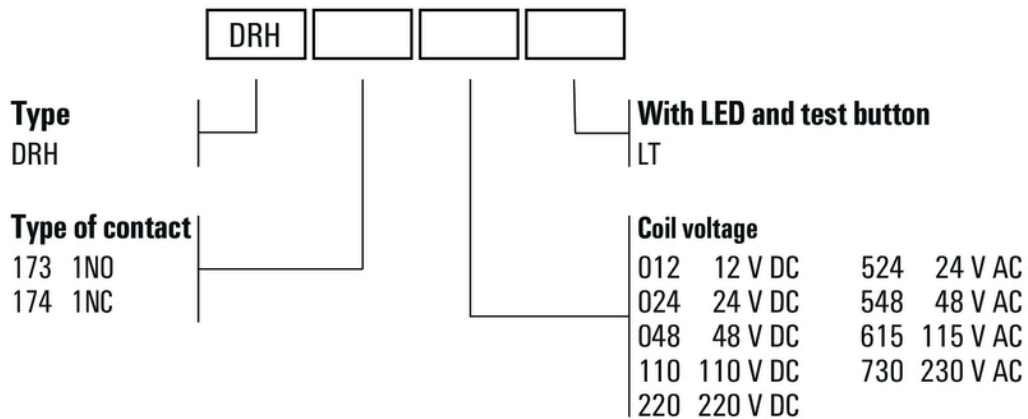
DRH174012LT

Weidmüller Interface GmbH & Co. KG
 Klingenbergstraße 26
 D-32758 Detmold
 Germany

www.weidmueller.com

Drawings

Miscellaneous



Type codes