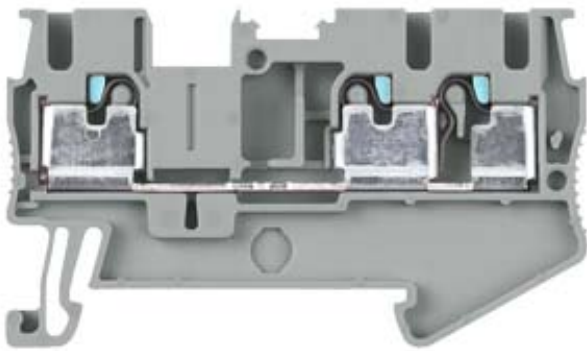


THROUGH-TYPE TERMINALS TERMINAL SIZE 2,5 MM²
WIDTH 5,2 MM COLOUR GREY CLAMPING POINTS 3



Similar to image

Technical data:

Operating current / rated value	A	30
Operating voltage / rated value	V	800
Mounting type		DIN rail 35 mm
Combustibility class acc. to UL 94		V0
Material / of the insulating body		Thermoplast
Design of the electrical connection		
• 1		plug terminal connection
• 2		plug terminal connection
Design tested acc. to type of protection / EEx e		No
Product component / required / connection plate		Yes
Number of terminal levels		1
Number of terminal points / per terminal level		3
Design of terminal / terminal levels linked internally		No
Terminal contact spacing	mm	5.2
Position / of terminal		top
Height / with lowest-profile installation	mm	38.5
Color		grey
Length	mm	60.5

Ambient temperature		
• during operating	°C	-25 ... +55
Conductor cross-section that can be connected		
• solid	mm ²	0.34 ... 4
• multibrin	mm ²	0.14 ... 2.5
• finely stranded		
• without wire end processing	/ mm ²	0.14
• with wire end processing	mm ²	0.14 ... 2.5

Certificates/approvals:

General Product Approval



Declaration of Conformity

Further information:

Information- and Downloadcenter (Catalogs, Brochures,...)

<http://www.siemens.com/lowvoltage/catalogs>

Industry Mall (Online ordering system)

<https://eb.automation.siemens.com/mall/en/WW/Catalog/Product/8WH6003-0AF00>

Service&Support (Manuals, Certificates, Characteristics, FAQs,...)

<http://support.automation.siemens.com/WW/view/en/8WH6003-0AF00/all>

Image database (product images, 2D dimension drawings, 3D models, device circuit diagrams, ...)

http://www.automation.siemens.com/bilddb/cax_en.aspx?mlfb=8WH6003-0AF00

CAX-Online-Generator

<http://www.siemens.com/cax>

last change:

Jul 28, 2014