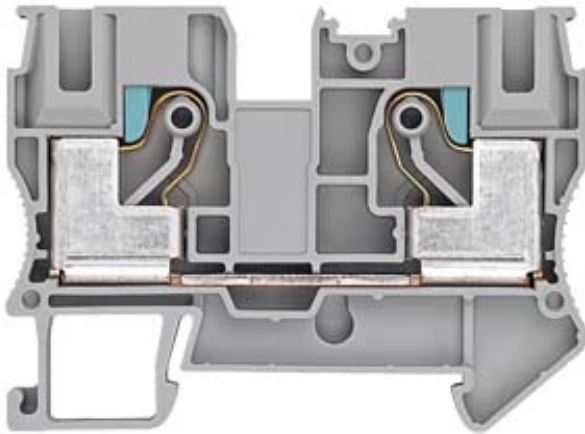


THROUGH TYPE TERMINAL BLOCK IPO-TECHNOLOGY,
6MM² WIDTH 8,2 MM,
GREY 1000V 2 CLAMPING POINTS



Similar to image

Technical data:

Operating current / rated value	A	57
Operating voltage / rated value	V	1,000
Mounting type		DIN rail 35 mm
Combustibility class acc. to UL 94		V0
Material / of the insulating body		Thermoplast
Design of the electrical connection		
• 1		connector
• 2		connector
Design tested acc. to type of protection / EEx e		No
Product component / required / connection plate		Yes
Number of terminal levels		1
Number of terminal points / per terminal level		2
Design of terminal / terminal levels linked internally		No
Terminal contact spacing	mm	10.2
Position / of terminal		top
Height / with lowest-profile installation	mm	49.5
Color		grey
Length	mm	67.7

Ambient temperature		
• during operating	°C	-25 ... +55
Conductor cross-section that can be connected		
• solid	mm ²	0.5 ... 16
• multibrin	mm ²	0.5 ... 10
• finely stranded		
• without wire end processing	mm ²	0.5 ... 10
• with wire end processing	mm ²	0.5 ... 10

Certificates/approvals:

General Product Approval



Declaration of Conformity

Further information:

Information- and Downloadcenter (Catalogs, Brochures,...)

<http://www.siemens.com/lowvoltage/catalogs>

Industry Mall (Online ordering system)

<https://eb.automation.siemens.com/mall/en/WW/Catalog/Product/8WH6000-0AJ00>

Service&Support (Manuals, Certificates, Characteristics, FAQs,...)

<http://support.automation.siemens.com/WW/view/en/8WH6000-0AJ00/all>

Image database (product images, 2D dimension drawings, 3D models, device circuit diagrams, ...)

http://www.automation.siemens.com/bilddb/cax_en.aspx?mlfb=8WH6000-0AJ00

CAX-Online-Generator

<http://www.siemens.com/cax>

last change:

Aug 4, 2014