





ALPHA 160 DIN, WALL-MOUNTED DB,  
FM UNEQ. DISTR. BOARD RAL 9016 IP31 SK2,  
H=650 W=550 D=140

Similar to image

#### Technical data:

<b>Width</b>	mm	550
<b>Height</b>	mm	650
<b>Depth</b>	mm	140
<b>RAL color number</b>		9016
<b>Protection class IP</b>		IP31
<b>Design of the cap/top cover</b>		closed
<b>Mounting depth</b>	mm	140
<b>Surface processing</b>		powder-coated
<b>Acceptability for application / for outside use</b>		No
<b>Suitability for interaction / lightning protection</b>		No
<b>Material / of the enclosure</b>		sheet steel/plastic
<b>Product component</b>		
• cable entry		Yes
• Mounting plate		No
<b>Product extension / optional / Sequence</b>		Yes

#### Certificates/approvals:

General Product Approval	Declaration of Conformity	Test Certificates	
 GOST	 EG-Konf.	<a href="#">other</a> <a href="#">Special Test Certificate</a>	<a href="#">Type Test Certificates/Test Report</a>

#### Further information:

##### Information- and Downloadcenter (Catalogs, Brochures,...)

<http://www.siemens.com/lowvoltage/catalogs>

##### Industry Mall (Online ordering system)

<https://eb.automation.siemens.com/mall/en/WW/Catalog/Product/8GK1031-2KK21>

##### Service&Support (Manuals, Certificates, Characteristics, FAQs,...)

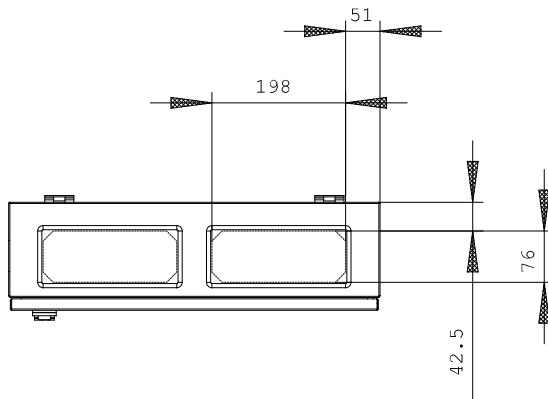
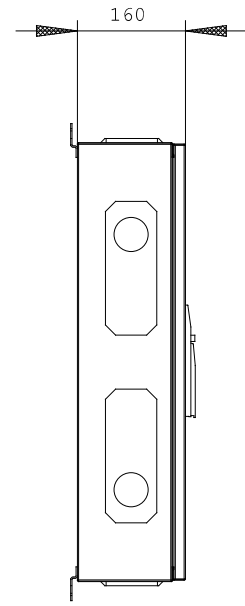
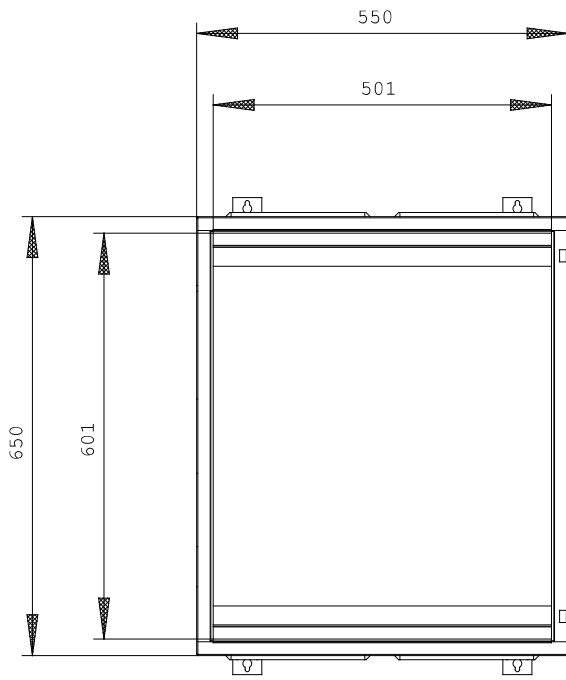
<http://support.automation.siemens.com/WW/view/en/8GK1031-2KK21/all>

##### Image database (product images, 2D dimension drawings, 3D models, device circuit diagrams, ...)

[http://www.automation.siemens.com/bilddb/cax\\_en.aspx?mlfb=8GK1031-2KK21](http://www.automation.siemens.com/bilddb/cax_en.aspx?mlfb=8GK1031-2KK21)

##### CAX-Online-Generator

<http://www.siemens.com/cax>



last change:

Oct 8, 2012