

**SDI CLIP P****Weidmüller Interface GmbH & Co. KG**

Klingenbergstraße 26

D-32758 Detmold

Germany

www.weidmueller.com

**Product image**

Retaining clip for D-SERIES DRI relays

- Metal and plastic retaining clip

**General ordering data**

Version	D-SERIES DRI, Retaining clip
Order No.	<a href="#">7760056389</a>
Type	SDI CLIP P
GTIN (EAN)	6944 169787539
Qty.	10 pc(s).

Creation date April 16, 2021 8:56:14 AM CEST

Catalogue status 09.04.2021 / We reserve the right to make technical changes.

**SDI CLIP P****Weidmüller Interface GmbH & Co. KG**

Klingenbergstraße 26

D-32758 Detmold

Germany

www.weidmueller.com

**Technical data****Dimensions and weights**

Depth	39.6 mm	Depth (inches)	1.559 inch
Height	31 mm	Height (inches)	1.22 inch
Net weight	1.962 g	Width	15.7 mm
Width (inches)	0.618 inch		

**General data**

Version	with marker holder		
Material	Plastic		
UL94 flammability rating component	Component	Retaining clip	
	UL94 flammability rating	V-2	

**Classifications**

ETIM 6.0	EC002586	ETIM 7.0	EC002586
ECLASS 9.1	27-37-16-92	ECLASS 10.0	27-37-16-92
ECLASS 11.0	27-37-16-92		

**Approvals**

ROHS	Conform
------	---------

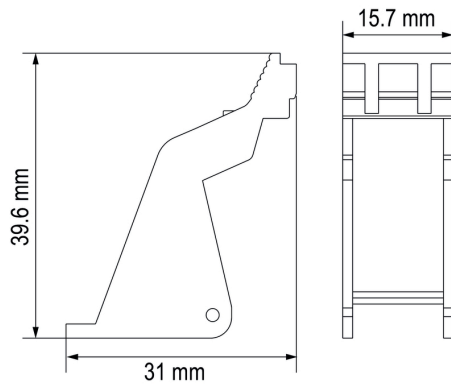
**Downloads**

Engineering Data	<a href="#">STEP</a>
Brochure/Catalogue	<a href="#">Catalogues in PDF-format</a>

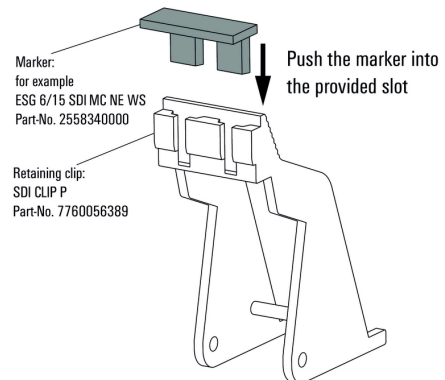
**SDI CLIP P**

**Weidmüller Interface GmbH & Co. KG**  
Klingenbergstraße 26  
D-32758 Detmold  
Germany

[www.weidmueller.com](http://www.weidmueller.com)

**Drawings****Dimensional drawing****Example of use****How to install marker**

on retaining clip



How to install marker  
on retaining clip

**Example of use**