

DRIKIT 48VDC 2CO LD

Weidmüller Interface GmbH & Co. KG

Klingenbergstraße 26

D-32758 Detmold

Germany

www.weidmueller.com

Product image



Similar to illustration

- Mounted kit consisting relay, socket and retaining clip
- 100 % function tested
- 100 % check of the dielectric strenght between input - output
- 2 CO contacts
- Optional with mechanical status indicator
- Optional Test button with coloured identification of coils (AC red / DC blue)
- Bright status LED (AC coil: red / DC coil: green)

General ordering data

Version	D-SERIES DRI, Relay module, Number of contacts: 2, CO contact AgSnO, Rated control voltage: 48 V DC, Continuous current: 5 A, Screw connection
Order No.	2476830000
Type	DRIKIT 48VDC 2CO LD
GTIN (EAN)	4050118497052
Qty.	10 pc(s).
Relevant base	7760056351
Relevant relay	7760056337

Creation date March 27, 2021 1:17:29 AM CET

DRIKIT 48VDC 2CO LD**Weidmüller Interface GmbH & Co. KG**

Klingenbergstraße 26

D-32758 Detmold

Germany

www.weidmueller.com

Technical data**Dimensions and weights**

Depth	67.7 mm	Depth (inches)	2.665 inch
Height	80.2 mm	Height (inches)	3.157 inch
Net weight	64 g	Width	15.8 mm
Width (inches)	0.622 inch		

Temperatures

Storage temperature	-40 °C...85 °C	Operating temperature	-40 °C...55 °C
Humidity	35...85 % rel. humidity, no condensation		

Environmental Product Compliance

REACH SVHC	Lead 7439-92-1
------------	----------------

Control side

Coil resistance	4300 Ω ± 10 %	Power rating	530 mW
Protective circuit	Free-wheeling diode	Pull-in/drop-out voltage, typ.	36 V / 7.2 V DC
Rated control voltage	48 V DC	Rated current DC	11,2 mA
Status indicator	Green LED		

Load side

AC switching capacity (resistive), max.	1250 VA	Continuous current	5 A
DC switching capacity (resistive), max.	150 W @ 24 V	Max. switching frequency at rated load	0.1 Hz
Max. switching voltage, DC	250 V	Min. switching power	10 mA @ 24 V, 10 mA @ 12 V, 100 mA @ 5 V
Rated switching voltage	250 V AC	Switch-off delay	≤ 10 ms
Switch-on delay	≤ 15 ms		

Contact data

Contact type	2 CO contact (AgSnO)	Mechanical service life	10 x 10 ⁶ switching cycles
--------------	----------------------	-------------------------	---------------------------------------

General data

Rail	TS 35	
Test button	No	
Mechanical switch position indicator	No	
Colour	black	
UL94 flammability rating component	Component	Housing
	UL94 flammability rating	V-2
	Component	Mounting foot
	UL94 flammability rating	HB
	Component	Retaining clip
	UL94 flammability rating	HB
	Component	Relay cover
	UL94 flammability rating	V-2
	Component	Relay baseplate
	UL94 flammability rating	V-0
Component	Relay status indicator	
UL94 flammability rating	HB	

DRIKIT 48VDC 2CO LD**Weidmüller Interface GmbH & Co. KG**

Klingenbergstraße 26

D-32758 Detmold

Germany

www.weidmueller.com

Technical data**Insulation coordination**

Creepage and clearance distance input – output	≥ 3 mm	Dielectric strength of neighbouring contacts	1.5 kV _{eff} / 1 min.
Dielectric strength of open contact	1 kV _{eff} / 1 min	Dielectric strength, Input/Output	4 kV _{eff} / 1 min
Impulse withstand voltage	4.8 kV (1.2/50 μs)	Insulating material group	IIIb
Pollution severity	2	Protection degree	IP20
Rated voltage	250 V	Surge voltage category	III

Further details of approvals / standards

Standards	IEC 61810-1, EN 60664-1:2007, EN 61000-6-2:2005, EN 61000-6-4:2007 + A1:2011	Certificate no. (cURus) relay	E312083
Certificate no. (cURus) base	E355547		

Connection data

Wire connection method	Screw connection	Stripping length, rated connection	8 mm
Tightening torque, min.	0.5 Nm	Tightening torque, max.	0.8 Nm
Clamping range, rated connection	1.5 mm ²	Clamping range, min.	0.25 mm ²
Clamping range, max.	4 mm ²	Wire cross-section, solid, min.	0.25 mm ²
Wire cross-section, solid, max.	4 mm ²	Wire connection cross section, finely stranded, min.	0.25 mm ²
Wire connection cross section, finely stranded, max.	4 mm ²	Wire connection cross-section, finely stranded with wire-end ferrules DIN 46228/4, min.	0.25 mm ²
Wire connection cross-section, finely stranded with wire-end ferrules DIN 46228/4, max.	4 mm ²	Conductor cross-section, flexible, AEH (DIN 46228-1), min.	0.25 mm ²
Conductor cross-section, flexible, AEH (DIN 46228-1), max.	4 mm ²	Blade size	size PH1
Gauge to IEC 60947-1	A3		

Classifications

ETIM 6.0	EC001437	ETIM 7.0	EC001437
ECLASS 9.0	27-37-16-01	ECLASS 9.1	27-37-16-01
ECLASS 10.0	27-37-16-01	ECLASS 11.0	27-37-16-01

Approvals

Approvals



ROHS

Conform

Downloads

Approval/Certificate/Document of Conformity	EU Konformitätserklärung / EU Declaration of Conformity
Engineering Data	STEP
Engineering Data	EPLAN, WSCAD, Zuken E3.S

Creation date March 27, 2021 1:17:29 AM CET

Catalogue status 12.03.2021 / We reserve the right to make technical changes.

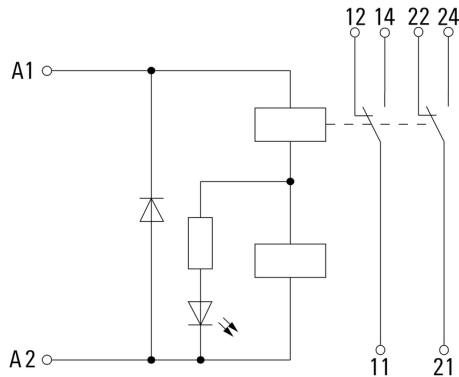
DRIKIT 48VDC 2CO LD

Weidmüller Interface GmbH & Co. KG
 Klingenbergstraße 26
 D-32758 Detmold
 Germany

www.weidmueller.com

Drawings

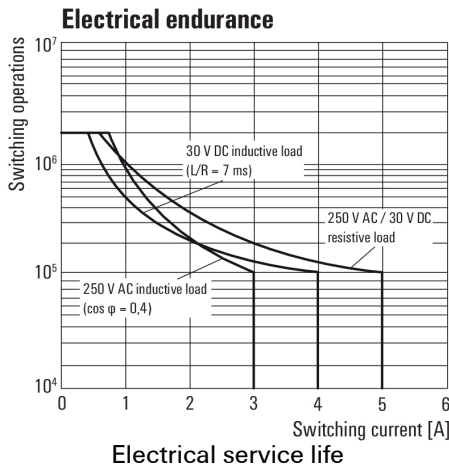
Wiring diagram



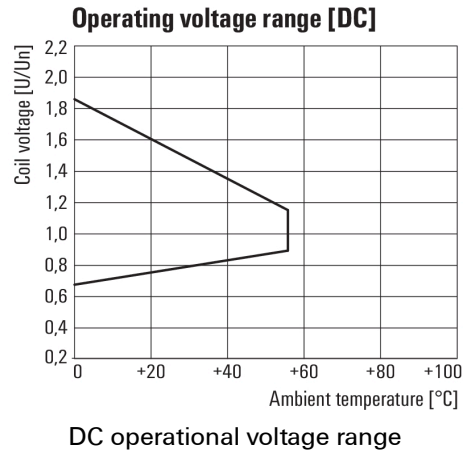
Graph



Graph



Graph



Dimensional drawing

