

SAIEW-M12BD-4-FTL**Weidmüller Interface GmbH & Co. KG**

Klingenbergstraße 26

D-32758 Detmold

Germany

www.weidmueller.com

Similar to illustration

Weidmüller is one of the industry's leading international providers of connectors. An important mainstay in this product family are the circular connectors, which Weidmüller groups under the product name SAI. In the development of SAI products, Weidmüller engineers have always concentrated on achieving rational, cost-effective installation concepts, and – in cooperation with major users – have supplied the markets with well-conceived products which set standards in terms of functionality and quality across the globe. The best examples are the new power distributors with S and T coded M12. These modules are characterised by particularly high currents and voltages. This enables them to also be used, for example, with three-phase motors.

General ordering data

Version	Built-in plugs, M12, M 12, Number of poles: 4, Front mounting
Order No.	2424380000
Type	SAIEW-M12BD-4-FTL
GTIN (EAN)	4050118432480
Qty.	10 pc(s).

Creation date March 26, 2021 11:01:54 PM CET

Catalogue status 12.03.2021 / We reserve the right to make technical changes.

SAIEW-M12BD-4-FTL

Weidmüller Interface GmbH & Co. KG

Klingenbergstraße 26

D-32758 Detmold

Germany

www.weidmueller.com

Technical data

Dimensions and weights

Net weight 16.2 g

Environmental Product Compliance

REACH SVHC Lead 7439-92-1

Technical data of PCB plug-in connector

Coding	D
Housing surface	nickel-plated
Housings	M12 socket
Mounting thread	M12
Number of poles	4
Shield connection	Yes
Type of mounting	Front mounting
Rated voltage	250 V
Rated voltage (text)	250 V
Rated current	4 A
Rated current	4 A
Temperature range	-30...80 °C
Protection degree	IP67
Contact surface	Au (Gold)
Housing main material	CuZn, nickel-plated
Connection thread	M12
Tightening torque	M12: 0.8 Nm
Mounting thread	M 12
Mounting torque	max. 1.2 Nm
Mounting torque range	1.2 Nm
Mounting onto the PCB	Dip solder
Insulation strength	100 MΩ
Pollution severity	3 (2 within the sealed area)
Plugging cycles	≥ 100
Contact material	CuZn
Lock nut material	Nickel-plated CuZn
Material of the flange-mounted housing	Nickel-plated CuZn

General Info

Housing main material	CuZn, nickel-plated	Connection thread	M12
Contact material	CuZn	Contact surface	Au (Gold)
Type of mounting	Front mounting	Protection degree	IP67
Plugging cycles	≥ 100		

Material data

Contact material	CuZn	Contact surface	Au (Gold)
------------------	------	-----------------	-----------

System parameters

Mounting onto the PCB	Dip solder	Insulation strength	100 MΩ
Number of poles	4	Pin series quantity	1
Plugging cycles	≥ 100	Protection degree	IP67

Creation date March 26, 2021 11:01:54 PM CET

SAIEW-M12BD-4-FTL

Weidmüller Interface GmbH & Co. KG
Klingenbergstraße 26
D-32758 Detmold
Germany

www.weidmueller.com

Technical data

Classifications

ETIM 6.0	EC002638	ETIM 7.0	EC003568
ECLASS 9.0	27-44-03-09	ECLASS 9.1	27-44-03-09
ECLASS 10.0	27-44-03-09	ECLASS 11.0	27-44-01-10

Approvals

ROHS Conform

Downloads

Engineering Data [STEP](#)

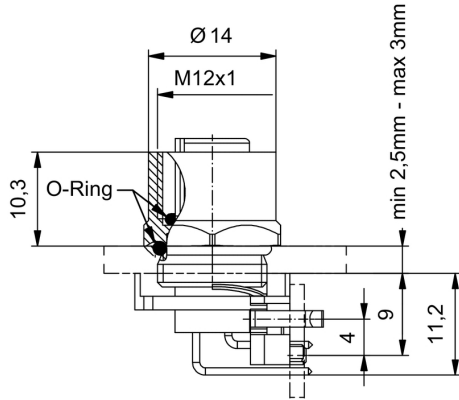
SAIEW-M12BD-4-FTL

Weidmüller Interface GmbH & Co. KG
 Klingenbergstraße 26
 D-32758 Detmold
 Germany

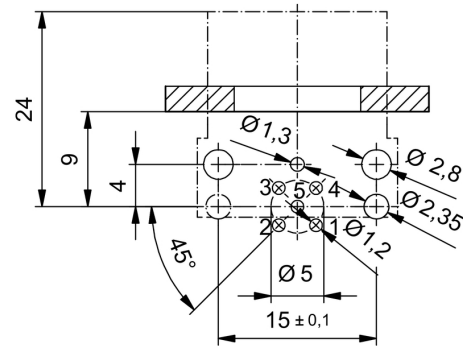
www.weidmueller.com

Drawings

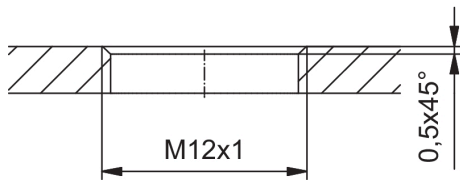
Dimensioned drawing



PCB design



Front panel section



Pole scheme

