



SCHUKO SOCKET 16A WITH EARTHING PIN ACC. TO CEE 7 FOR INSTALL. IN DISTRIB. BOARDS

Similar to image

Technical data:

Mounting type		others
Mounting type		others
Width	mm	44
Height	mm	74
Depth	mm	71
Color		grey
Design of the product		others
Design of the electrical connection		screw-type terminal
Design of the special power supply unit		without special current supply
Design of socket / according to VDE 0620 for severe conditions		No
Product function		
• Socket selectable		No
• Overvoltage protection		No
Product component		
• Error current protection		No
• Ejection equipment		No
• Child protection		No
• Hinged lid		No

• miniature fuse		No
• Lettering field		No
• integrated / Fluorescent materials		No
transversely connectable / lockable		No
Design of the cover		central plate
Material		others
Appearance		matt
Number of units		1
Surface processing		others
Product feature / halogen-free		Yes
order of contacts / diagonal		No
Labeling / of socket outlet		without imprint
Operating current / rated value	A	16
Operating frequency	Hz	50 ... 50
Operating voltage / nominal value	V	230
Material / of the enclosure		others
Protection class IP		IP20
Number of socket outlets / switchable		0
Product feature / transparent		No
Product component / integrated		
• functional lighting		No
• orientation lighting		No
Design of the phase tap		Without

Certificates/approvals:

General Product Approval

other



[Environmental Confirmations](#)

Further information:

Information- and Downloadcenter (Catalogs, Brochures,...)

<http://www.siemens.com/lowvoltage/catalogs>

Industry Mall (Online ordering system)

<https://eb.automation.siemens.com/mall/en/WW/Catalog/Product/5TE6803>

Service&Support (Manuals, Certificates, Characteristics, FAQs,...)

<http://support.automation.siemens.com/WW/view/en/5TE6803/all>

Image database (product images, 2D dimension drawings, 3D models, device circuit diagrams, ...)

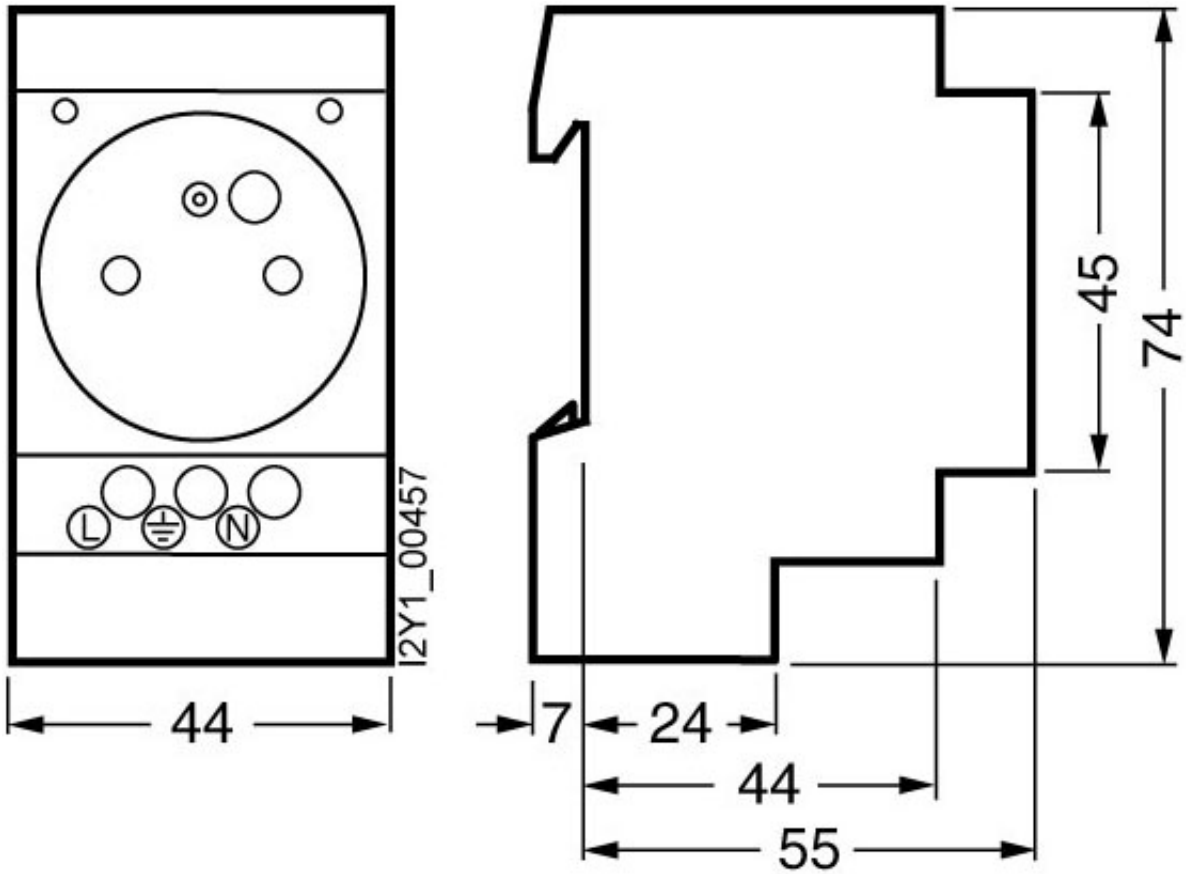
http://www.automation.siemens.com/bilddb/cax_en.aspx?mlfb=5TE6803

CAX-Online-Generator

<http://www.siemens.com/cax>

Tender specifications

[Datanorm GAEB81](#) [GAEB83](#) [RTF](#) [TXT](#)



last change:

Jul 28, 2014