

DISCONNECTOR, 92MM 100A 4POLE RED/YELLOW






Similar to image

Technical data:

| | | |
|--|----|----------------------|
| Number of poles | | 4 |
| Design of the operating mechanism | | selector switch |
| Product equipment / interlock | | No |
| Continuous current / rated value | A | 100 |
| Acceptability for application / emergency stop switch | | Yes |
| Type from device | | other |
| Design of the electrical connection / for main current circuit | | screw-type terminals |
| Number of NC contacts / for auxiliary contacts | | 0 |
| Acceptability for application / safety cut-out switch | | No |
| Type of the driving mechanism / motor drive | | No |
| Number of NO contacts / for auxiliary contacts | | 4 |
| Number of change-over switches / for auxiliary contacts | | 0 |
| Operating voltage / at 50/60 Hz / for AC / rated value | V | 690 |
| Service power / at AC 23 A / at 400 V / at 50/60 Hz / rated value | kW | 44 |
| Protection class IP | | IP20 |
| Acceptability for application / main switch | | No |
| Acceptability for application / switch disconnecter | | Yes |
| Product extension / optional / motor drive | | No |

| | |
|---|-----|
| Product extension / optional / voltage trigger | No |
| Type of fixing / 4-hole front mounting | No |
| Type of fixing / central front mounting | No |
| Suitability for integration / distribution board | Yes |
| Acceptability for application / maintenance/repair switch | Yes |

Certificates/approvals:

| General Product Approval | Declaration of Conformity | other |
|---|---|---|
|  GOST |  KEMA |  EG-Konf. |
| | | Environmental Confirmations |

Further information:

Information- and Downloadcenter (Catalogs, Brochures,...)

<http://www.siemens.com/lowvoltage/catalogs>

Industry Mall (Online ordering system)

<http://www.siemens.com/lowvoltage/mall>

Service&Support (Manuals, Certificates, Characteristics, FAQs,...)

<http://support.automation.siemens.com/WW/view/en/5TE1415/all>

Image database (product images, 2D dimension drawings, 3D models, device circuit diagrams, ...)

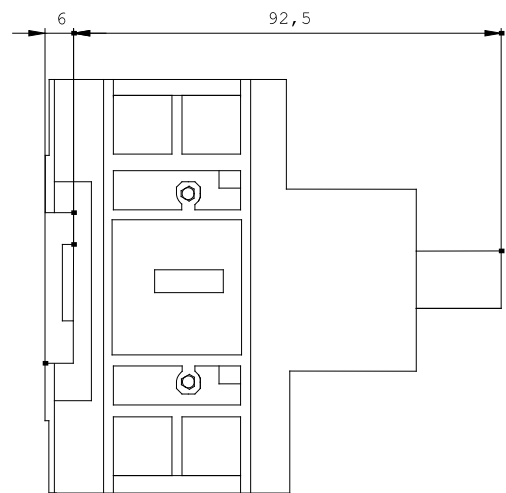
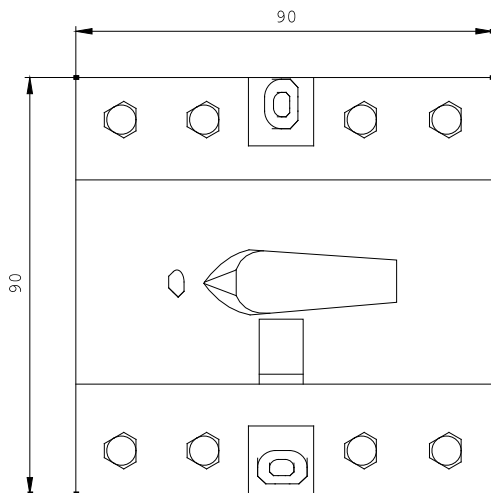
http://www.automation.siemens.com/bilddb/cax_en.aspx?mlfb=5TE1415

CAX-Online-Generator

<http://www.siemens.com/cax>

Tender specifications

[Datanorm GAEB81](#) [GAEB83](#) [RTF](#) [TXT](#)



last change:

Nov 5, 2012