



CIRCUIT BREAKER 230V 6KA, 1+N-POLE/1MW,
B 25A

General technical data:		
type of voltage		AC/DC
Mounting depth	mm	70
mounting position		any
Current / for AC / rated value	A	25
Tripping characteristic class		B
Supply voltage		
• for AC / rated value	V	230
• with single-phase operation / with AC / rated value	V	230
Operating voltage		
• minimum	V	24
• with single-phase operation / with AC / maximum	V	250
Number of poles /note		1P+N right
Switching capacity current		
• in accordance with IEC 60947-2 / rated value	kA	6
• acc. to EN 60898 / rated value	kA	6
Active power loss		
• at rated value current / with AC / in warm operating state / per pole	W	2.065
• at N pole / at rated current / with AC / during operation	W	0.804

Number of pitch units for width		1
Product feature / sealable		Yes
Protection class IP		IP20, with connected conductors
Degree of pollution		2
Influence of the surrounding temperature		Periodically +55°C, max. 95% humidity
Ambient temperature	°C	-25 ... +45
Ambient temperature • during storage	°C	-40 ... +75
Mechanical operating cycles as operating time / typical		20,000
Overvoltage class		3
Product equipment / touch-protection		Yes
Insulation voltage / for AC / rated value	V	250
Conductor cross-section that can be connected • solid • multibrin • finely stranded • with wire end processing	mm ² mm ² mm ²	0.75 ... 16 0.75 ... 16 0.75 ... 10
Tightening torque • with screw-type terminals	N-m	2 ... 2.5
Product feature • [not supplied - silicon-free] • halogen-free		Yes Yes
Number of test cycles / for environmental testing / in accordance with IEC 60068-2-30		6

Certificates/approvals:

General Product Approval

Declaration of
Conformity

other



CCC



GOST



VDE



EG-Konf.

[other](#)

Further information:

Information- and Downloadcenter (Catalogs, Brochures,...)

<http://www.siemens.com/lowvoltage/catalogs>

Industry Mall (Online ordering system)

<http://www.siemens.com/lowvoltage/mall>

Service&Support (Manuals, Certificates, Characteristics, FAQs,...)

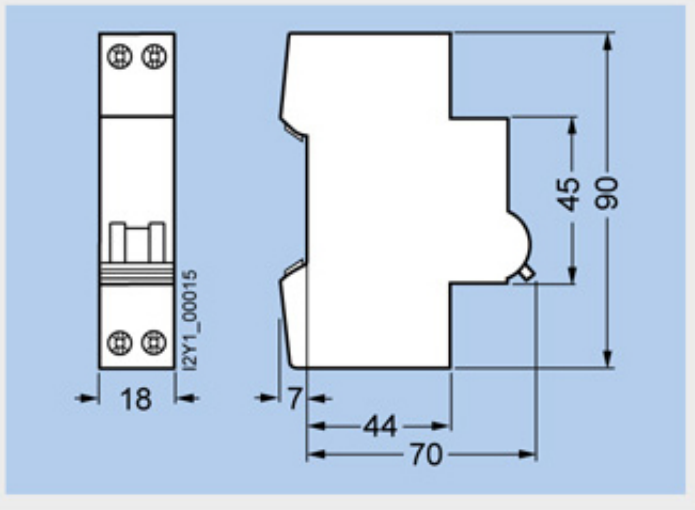
<http://support.automation.siemens.com/WW/view/en/5SY6025-6/all>

Image database (product images, 2D dimension drawings, 3D models, device circuit diagrams, ...)

http://www.automation.siemens.com/bilddb/cax_en.aspx?mlfb=5SY6025-6

CAX-Online-Generator

<http://www.siemens.com/cax>



last change:

Dec 3, 2012