



CIRCUIT BREAKER 230V 6KA, 1+N-POLE/1MW,  
B 16A

General technical data:		
<b>type of voltage</b>		AC/DC
<b>Mounting depth</b>	mm	70
<b>mounting position</b>		any
<b>Current / for AC / rated value</b>	A	16
<b>Tripping characteristic class</b>		B
<b>Supply voltage</b>		
• for AC / rated value	V	230
• with single-phase operation / with AC / rated value	V	230
<b>Operating voltage</b>		
• minimum	V	24
• with single-phase operation / with AC / maximum	V	250
<b>Number of poles /note</b>		1P+N right
<b>Switching capacity current</b>		
• in accordance with IEC 60947-2 / rated value	kA	6
• acc. to EN 60898 / rated value	kA	6
<b>Active power loss</b>		
• at rated value current / with AC / in warm operating state / per pole	W	2.219
• at N pole / at rated current / with AC / during operation	W	1.018

<b>Number of pitch units for width</b>		1
<b>Product feature / sealable</b>		Yes
<b>Protection class IP</b>		IP20, with connected conductors
<b>Degree of pollution</b>		2
<b>Influence of the surrounding temperature</b>		Periodically +55°C, max. 95% humidity
<b>Ambient temperature</b>	°C	-25 ... +45
<b>Ambient temperature</b> • during storage	°C	-40 ... +75
<b>Mechanical operating cycles as operating time / typical</b>		20,000
<b>Overvoltage class</b>		3
<b>Product equipment / touch-protection</b>		Yes
<b>Insulation voltage / for AC / rated value</b>	V	250
<b>Conductor cross-section that can be connected</b> • solid • multibrin • finely stranded • with wire end processing	mm <sup>2</sup> mm <sup>2</sup> mm <sup>2</sup>	0.75 ... 16 0.75 ... 16 0.75 ... 10
<b>Tightening torque</b> • with screw-type terminals	N-m	2 ... 2.5
<b>Product feature</b> • [not supplied - silicon-free] • halogen-free		Yes Yes
<b>Number of test cycles / for environmental testing / in accordance with IEC 60068-2-30</b>		6

#### Certificates/approvals:

General Product Approval

Declaration of  
Conformity

other



CCC



GOST



VDE



EG-Konf.

[other](#)

#### Further information:

**Information- and Downloadcenter (Catalogs, Brochures,...)**

<http://www.siemens.com/lowvoltage/catalogs>

**Industry Mall (Online ordering system)**

<http://www.siemens.com/lowvoltage/mall>

**Service&Support (Manuals, Certificates, Characteristics, FAQs,...)**

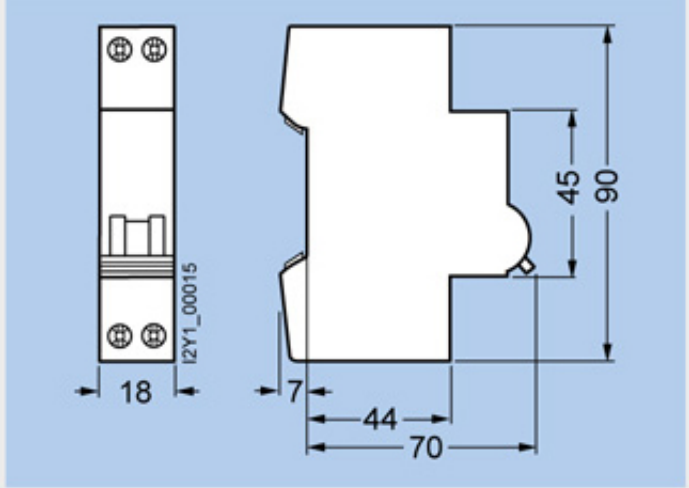
<http://support.automation.siemens.com/WW/view/en/5SY6016-6/all>

**Image database (product images, 2D dimension drawings, 3D models, device circuit diagrams, ...)**

[http://www.automation.siemens.com/bilddb/cax\\_en.aspx?mlfb=5SY6016-6](http://www.automation.siemens.com/bilddb/cax_en.aspx?mlfb=5SY6016-6)

**CAX-Online-Generator**

<http://www.siemens.com/cax>



last change:

Dec 3, 2012