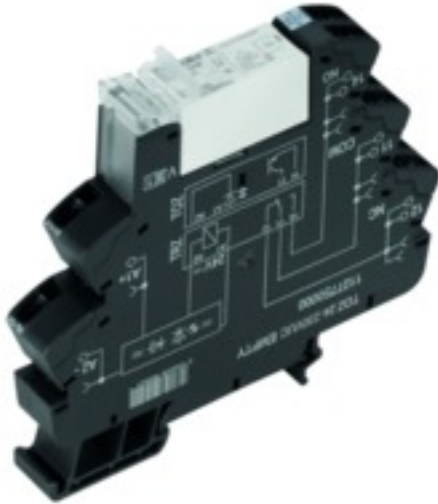


## TRZ 230VUC 1CO 16A

**Weidmüller Interface GmbH & Co. KG**  
 Klingenbergstraße 26  
 D-32758 Detmold  
 Germany

www.weidmueller.com

### Product image



Similar to illustration

- 1 CO contact
- Contact material: AgNi
- Unique multi-voltage input from 24 to 230 V UC
- Input voltages from 5 V DC to 230 V UC with coloured marking: AC: red, DC: blue, UC: white

### General ordering data

Version	TERMSERIES, Relay module, Number of contacts: 1, CO contact AgNi, Rated control voltage: 230 V UC $\pm 5\%$ , Continuous current: 16 A, Tension-clamp connection
Order No.	<a href="#">1479900000</a>
Type	TRZ 230VUC 1CO 16A
GTIN (EAN)	4050118288285
Qty.	10 pc(s).

Creation date March 24, 2021 1:13:21 AM CET

Catalogue status 12.03.2021 / We reserve the right to make technical changes.

## TRZ 230VUC 1CO 16A

Weidmüller Interface GmbH &amp; Co. KG

Klingenbergstraße 26

D-32758 Detmold

Germany

www.weidmueller.com

## Technical data

## Dimensions and weights

Depth	87.8 mm	Depth (inches)	3.457 inch
Height	90.5 mm	Height (inches)	3.563 inch
Net weight	55 g	Width	12.8 mm
Width (inches)	0.504 inch		

## Temperatures

Storage temperature	-40 °C...85 °C	Operating temperature	-40 °C...60 °C
Humidity	5-95% relative humidity, T <sub>u</sub> = 40°C, without condensation		

## Environmental Product Compliance

REACH SVHC	Lead 7439-92-1
------------	----------------

## Rated data UL

Operating altitude	≤ 2000 m, above sea level	Ambient temperature (operational), max. 60 °C	
Output current derating (ohmic)	12 A @ 60 °C, 16 A @ 55 °C	Connection cross-section AWG, min.	AWG 26
Connection cross-section AWG, max.	AWG 14	Type of conductor	rigid copper conductor, flexible copper conductor
Pollution severity level	2		

## Control side

Coil voltage of the replacement relay	110 V DC	Coil voltage of the replacement relay deviating from the rated control voltage	Yes
Power rating	1 W, 990 mVA	Protective circuit	Rectifier
Pull-in/drop-out current, typ.	2 mA / 1 mA AC 2 mA / 1 mA DC	Pull-in/drop-out voltage, typ.	112 V / 43 V AC 129 V / 36 V DC
Rated control voltage	230 V UC ± 5 %	Rated current AC	4.3 mA
Rated current DC	4.4 mA	Status indicator	Green LED

## Load side

AC switching capacity (resistive), max.	4000 VA	Continuous current	16 A
DC switching capacity (resistive), max.	384 W @ 24 V	Inrush current	30 A / 4 s
Max. switching frequency at rated load	0.1 Hz	Max. switching voltage, DC	250 V
Min. switching power	10 mA @ 10 V, 100 mA @ 5 V	Rated switching voltage	250 V AC
Switch-off delay	≤ 22 ms	Switch-on delay	≤ 14 ms

## Contact data

Contact type	1 CO contact (AgNi)	Mechanical service life	30 x 10 <sup>6</sup> switching cycles
--------------	---------------------	-------------------------	---------------------------------------

## General data

Rail	TS 35
Test button	No
Mechanical switch position indicator	No
Colour	black

Creation date March 24, 2021 1:13:21 AM CET

Catalogue status 12.03.2021 / We reserve the right to make technical changes.

## TRZ 230VUC 1CO 16A

Weidmüller Interface GmbH &amp; Co. KG

Klingenbergstraße 26

D-32758 Detmold

Germany

www.weidmueller.com

## Technical data

UL94 flammability rating component	Component	Housing
	UL94 flammability rating	V-0
	Component	Retaining clip
	UL94 flammability rating	V-0

## Insulation coordination

Creepage and clearance distance input – output	≥ 5.5 mm	Dielectric strength of open contact	1 kV <sub>eff</sub> / 1 min
Dielectric strength to mounting rail	4 kV <sub>eff</sub> / 1 Min.	Dielectric strength, Input/Output	1.2 kV <sub>eff</sub> / 5 s
Impulse withstand voltage	6 kV (1.2/50 μs)	Pollution severity	2
Protection degree	IP20	Rated voltage	300 V
Surge voltage category	III		

## Further details of approvals / standards

Standards	EN 50178, EN 55011, EN 61000-6-1, 2, 4	Certificate No. (DNVGL)	TAA00001E5
Certificate no. (cULus)	E141197		

## Connection data

Wire connection method	Tension-clamp connection	Stripping length, rated connection	8 mm
Clamping range, rated connection	1.5 mm <sup>2</sup>	Clamping range, min.	0.14 mm <sup>2</sup>
Clamping range, max.	2.5 mm <sup>2</sup>	Wire connection cross section AWG, min.	AWG 26
Wire connection cross section AWG, max.	AWG 14	Wire cross-section, solid, min.	0.14 mm <sup>2</sup>
Wire cross-section, solid, max.	2.5 mm <sup>2</sup>	Wire cross-section, solid, min. (AWG)	AWG 26
Wire cross-section, solid, max. (AWG)	AWG 14	Wire connection cross section, finely stranded, min.	0.14 mm <sup>2</sup>
Wire connection cross section, finely stranded, max.	2.5 mm <sup>2</sup>	Wire cross-section, finely stranded, min. (AWG)	AWG 26
Wire cross-section, finely stranded, max. (AWG)	AWG 14	Wire connection cross-section, finely stranded with wire-end ferrules DIN 46228/4, min.	0.14 mm <sup>2</sup>
Wire connection cross-section, finely stranded with wire-end ferrules DIN 46228/4, max.	1.5 mm <sup>2</sup>	Conductor cross-section, flexible, AEH (DIN 46228-1), min.	0.14 mm <sup>2</sup>
Conductor cross-section, flexible, AEH (DIN 46228-1), max.	1.5 mm <sup>2</sup>	Twin wire-end ferrules, min.	0.5 mm <sup>2</sup>
Twin wire-end ferrules, max.	1 mm <sup>2</sup>	Blade size	0.6 x 3.5 mm
Gauge to IEC 60947-1	A1, B1		

## Classifications

ETIM 6.0	EC001437	ETIM 7.0	EC001437
ECLASS 9.0	27-37-16-01	ECLASS 9.1	27-37-16-01
ECLASS 10.0	27-37-16-01	ECLASS 11.0	27-37-16-01

## Approvals

Approvals



ROHS	Conform
UL File Number Search	E141197

Creation date March 24, 2021 1:13:21 AM CET

Catalogue status 12.03.2021 / We reserve the right to make technical changes.

**Data sheet****TRZ 230VUC 1CO 16A****Weidmüller Interface GmbH & Co. KG**

Klingenbergstraße 26

D-32758 Detmold

Germany

[www.weidmueller.com](http://www.weidmueller.com)**Technical data****Downloads**

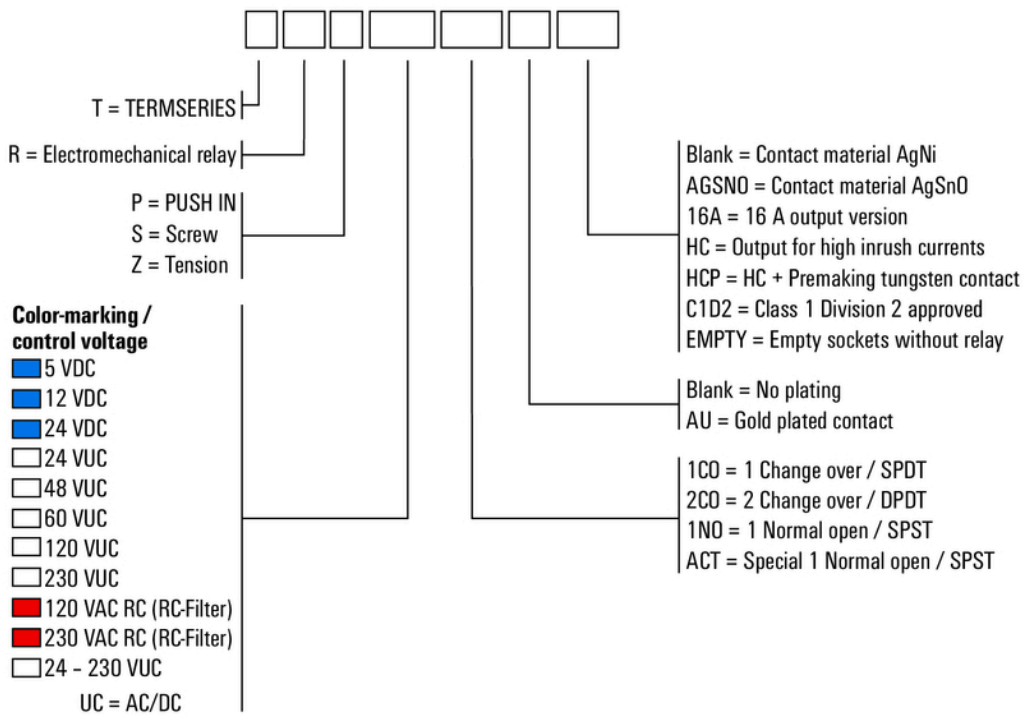
Approval/Certificate/Document of Conformity	<a href="#">EU Konformitätserklärung / EU Declaration of Conformity</a>
Engineering Data	<a href="#">STEP</a>
Engineering Data	<a href="#">EPLAN, WSCAD, Zuken E3.S</a>
User Documentation	<a href="#">Beipackzettel / Package Insert - multilingual</a>



Drawings

Miscellaneous

**Type code TERMSERIES electromechanical relay versions**



Type codes