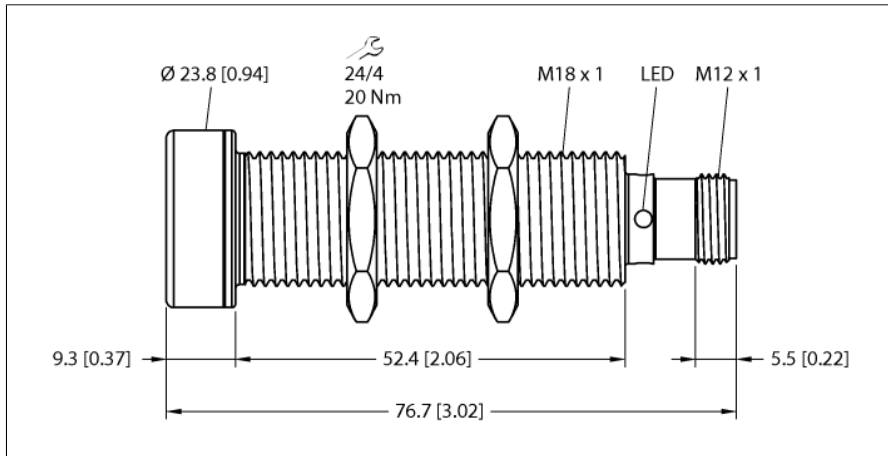
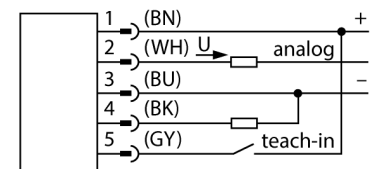


**Ultrasonic Sensor**  
**Diffuse Mode Sensor**  
**RU100U-EMT18E-LU8X2-H1151**



- Sonic transducer face with PTFE layer
- • Stainless steel front attachment
- Cylindrical housing M18, potted
- Connection via M12 × 1 male connector
- Temperature compensation
- Blind zone: 15 cm
- Range: 100 cm
- Resolution: 1 mm
- Sonic cone angle: 16°
- 1x analog output, 0..10V/additional switching output, PNP

**Wiring Diagram**



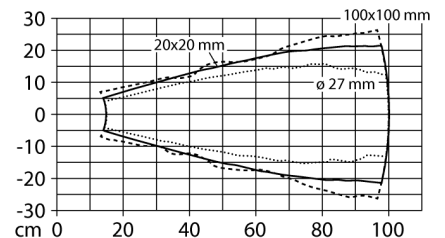
**Functional principle**

Ultrasonic sensors capture a multitude of objects contactlessly and wear-free with ultrasonic waves. It does not matter whether the object is transparent or opaque, metallic or non-metallic, firm, liquid or powdery. Even environmental conditions such as spray, dust or rain hardly affect their function.

The sonic cone diagram indicates the detection range of the sensor. In accordance with standard EN 60947-5-7, quadratic targets in a range of sizes (20 x 20 mm, 100 x 100 mm) and a round rod with a diameter of 27 mm are used.

Important: The detection ranges for other targets may differ from those for standard targets due to the different reflection properties and geometries.

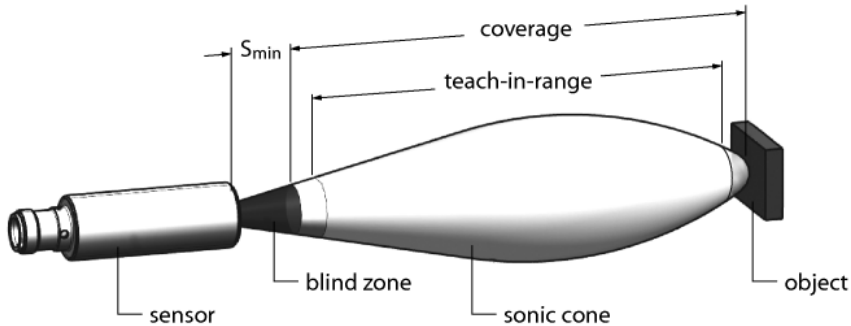
**Sonic Cone**



<b>Type designation</b>	RU100U-EMT18E-LU8X2-H1151
Ident-No.	100004305
<b>Function</b>	Ultrasonic diffuse mode sensor
Range	150...1000 mm
Resolution	1 mm
minimum measuring range	100 mm
minimum switching range	10 mm
Ultrasound frequency	200 kHz
Repeat accuracy	0.15 % of full scale
Temperature drift	1.5% of full scale
Linearity error	≤ ± 0.5 %
Edge lengths of the nominal actuator	100 mm
Approach speed	≤ 8 m/s
Pass speed	≤ 2 m/s
<b>Operating voltage</b>	15...30 VDC
Residual ripple	10 % U <sub>s</sub>
DC rated operational current	≤ 150 mA
No-load current I <sub>0</sub>	≤ 50 mA
Load resistance	≤ 1000 Ω
Response time typical	90 ms
Readiness delay	300 ms
Output 1	Analog output
Voltage output	0...10V
Load resistance voltage output	≥ 1 kΩ
Switching frequency	6.9 Hz
Short-circuit protection	yes/ Cyclic
Reverse polarity protection	yes
Wire breakage protection	yes
<b>Design</b>	Threaded barrel, M18
Radiation direction	straight
Dimensions	75 x Ø 18 mm
Housing material	Stainless steel, V4A 1.4404 (AISI 316L), PTFE-coated
Transducer material	Plastic, Epoxy resin and PU foam with PTFE coating
Electrical connection	Connector, M12 × 1, 5-wire
Protection class	IP67
Ambient temperature	-5...+50 °C
Storage temperature	-40...+50 °C
Declaration of conformity EN ISO/IEC	EN 60947-5-7
Vibration resistance	IEC 60068-2
MTTF note	acc. to SN 29500 (Ed. 99) 40 °C
<b>Switching state</b>	LED, Yellow
Object detected	LED, Green

**Ultrasonic Sensor  
Diffuse Mode Sensor  
RU100U-EMT18E-LU8X2-H1151**

**Mounting instructions/Description**



**Setting the limit values**

The ultrasonic sensor has an analog output with teachable measuring range. Teaching is implemented via the teach adapter. The green and yellow LEDs indicate whether the sensor has detected the object.

**Teach**

Connect the TX1-Q20L60 teach adapter between the sensor and connection cable

- Position object for remote limit value
- Press the button against Ub for 2 - 7 seconds
- Position object for close limit value
- Press the button against Ub for 8 - 11 seconds

Optional: Inversion of analog output

- Press the button for 12 - 17 seconds

**LED response**

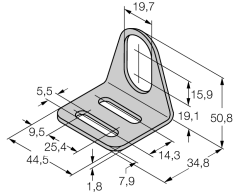
Successful teaching is displayed with a fast flashing LED. Thereafter, the sensor automatically runs in normal operating mode. Unsuccessful teaching is indicated by the LED flashing alternately green and yellow.

In normal operation, the two LEDs indicate the status of the sensor.

- Green: Object within the detection range, but not in the measuring range
- Yellow: Object is within the measuring range
- Off: Object outside the detection range or signal loss

**Ultrasonic Sensor  
Diffuse Mode Sensor  
RU100U-EMT18E-LU8X2-H1151**

**Accessories**

Type code	Ident-No.	Description	Dimension drawing
MW-18	6945004	Mounting bracket for threaded barrel sensors; material: Stainless steel A2 1.4301 (AISI 304)	

**Function accessories**

Type code	Ident-No.	Description	Dimension drawing
TX1-Q20L60	6967114	Teach adapter for inductive encoders, linear position, angle, ultrasonic and capacitive sensors	