

DOUBLE-POLE BOW-TYPE ELECTRODE FOR LEVEL MONITORING



| | |
|-------------------------|----------------------------|
| Product function | Probe for level monitoring |
|-------------------------|----------------------------|

Measuring circuit:

| | | |
|-------------------------------------|-----|----|
| Operating pressure / maximum | bar | 10 |
|-------------------------------------|-----|----|

Certificates/approvals:

General Product Approval



Further information:

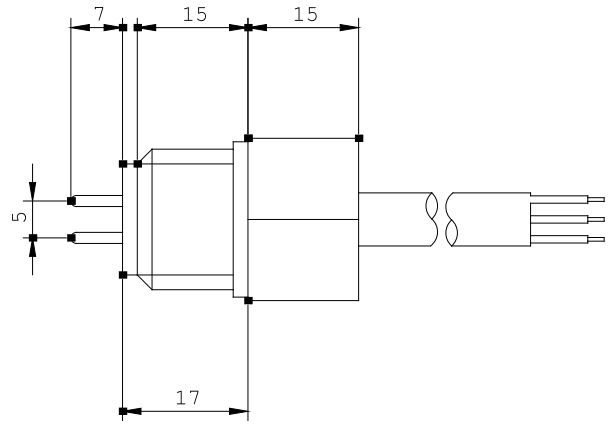
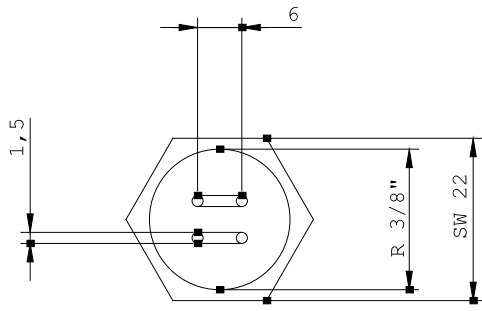
Information- and Downloadcenter (Catalogs, Brochures,...)
<http://www.siemens.com/industrial-controls/catalogs>

Industry Mall (Online ordering system)
<http://www.siemens.com/industrial-controls/mall>

Cax online generator:
<http://www.siemens.com/cax>

Service&Support (Manuals, Certificates, Characteristics, FAQs,...)
<http://support.automation.siemens.com/WW/view/en/3UG3207-2B/all>

Image database (product images, 2D dimension drawings, 3D models, device circuit diagrams, ...)
http://www.automation.siemens.com/bilddb/cax_en.aspx?mlfb=3UG3207-2B



last change:

Feb 18,
2013