



BASIC SWITCH FOR POSITION SWITCH 3SE51, METAL ENCLOSURE 40MM TO EN50041 1NO/1NC SLOW-ACTION CONTACTS W. M12 CONNECTOR, 5-POLE, FIXED PIN ASSIGNMENT: PIN1=21, PIN2 =22, PIN3=13, PIN4=14, PIN5=PE W/O ACTUATOR HEAD

Manufacturer article number		
<ul style="list-style-type: none"> of the basic unit included in the scope of supply 		3SE5114-0BA00-1AC5

General technical details:		
product designation		basic switch for standard position switches
Explosion protection category for dust		none
Insulation voltage		
<ul style="list-style-type: none"> rated value 	V	125
Degree of pollution		class 3
Thermal current	A	4
Operating current		
<ul style="list-style-type: none"> at AC-15 <ul style="list-style-type: none"> at 24 V / rated value at 125 V / rated value at DC-13 <ul style="list-style-type: none"> at 24 V / rated value at 125 V / rated value 	A	4
	A	4
	A	3
	A	0.55
Continuous current		
<ul style="list-style-type: none"> of the slow DIAZED fuse link of the quick DIAZED fuse link of the C characteristic circuit breaker 	A	4
	A	4
	A	1

Mechanical operating cycles as operating time • typical		15,000,000
Electrical operating cycles as operating time • with contactor 3RH11, 3RT1016, 3RT1017, 3RT1024, 3RT1025, 3RT1026 / typical		10,000,000
Electrical operating cycles in one hour • with contactor 3RH11, 3RT1016, 3RT1017, 3RT1024, 3RT1025, 3RT1026		6,000
Repeat accuracy	mm	0.05
Design of the contact element		slow-action contacts
Number of NC contacts • for auxiliary contacts		1
Design of the switching function		Positive opening with appropriate positive opening actuator head
Number of NO contacts • for auxiliary contacts		1
Resistance against vibration		0.35 mm / 5g
Resistance against shock		30g / 11 ms
Ambient temperature • during operating • during storage	°C °C	-25 ... +85 -40 ... +90
Product specification • for dimensions		EN 50041
Width of the sensor	mm	40
Material • of the enclosure		metal
Design of the operating mechanism		without
Actuating speed	mm/s / m/s	0.4 ... 2.5
Minimum actuating force / in activation direction	N	20
Protection class IP		IP66/IP67
mounting position		any
Cable gland version		M12 plug
Design of the electrical connection		M12 plug, fixed
Design of the plug-in connection		M12 plug, 5-pole: Pin 1 = terminal 21, Pin 2 = 22, Pin 3 = 13, Pin 4 = 14, Pin 5 = PU
Item designation • according to DIN 40719 extendable after IEC 204-2 • according to DIN EN 61346-2		S B

Certificates/approvals:

General Product Approval				Functional Safety / Safety of Machinery	Declaration of Conformity
--------------------------	--	--	--	---	------------------------------



CCC



GOST



UL



VDE



VDE



EG-Konf.

Test Certificates

other

[Special Test
Certificate](#)

[Confirmation](#)

Further information:

Information- and Downloadcenter (Catalogs, Brochures,...)

<http://www.siemens.com/industrial-controls/catalogs>

Industry Mall (Online ordering system)

<http://www.siemens.com/industrial-controls/mall>

CAX-Online-Generator

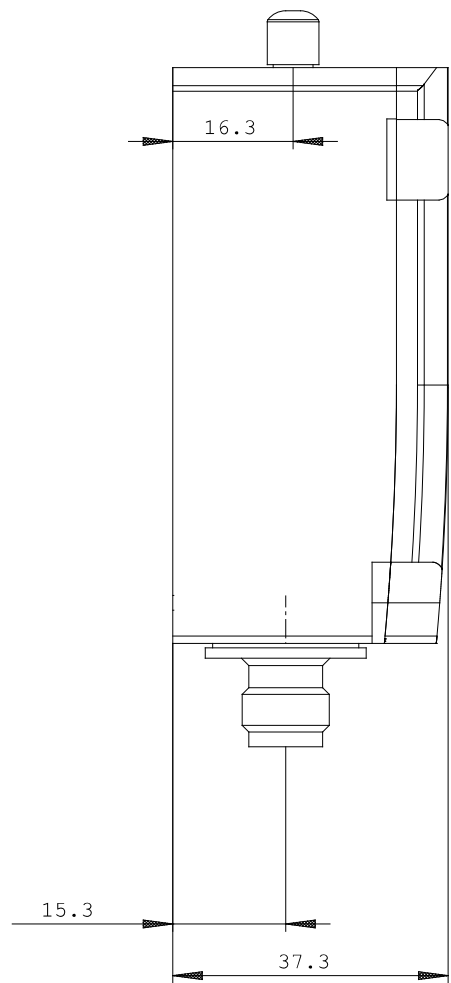
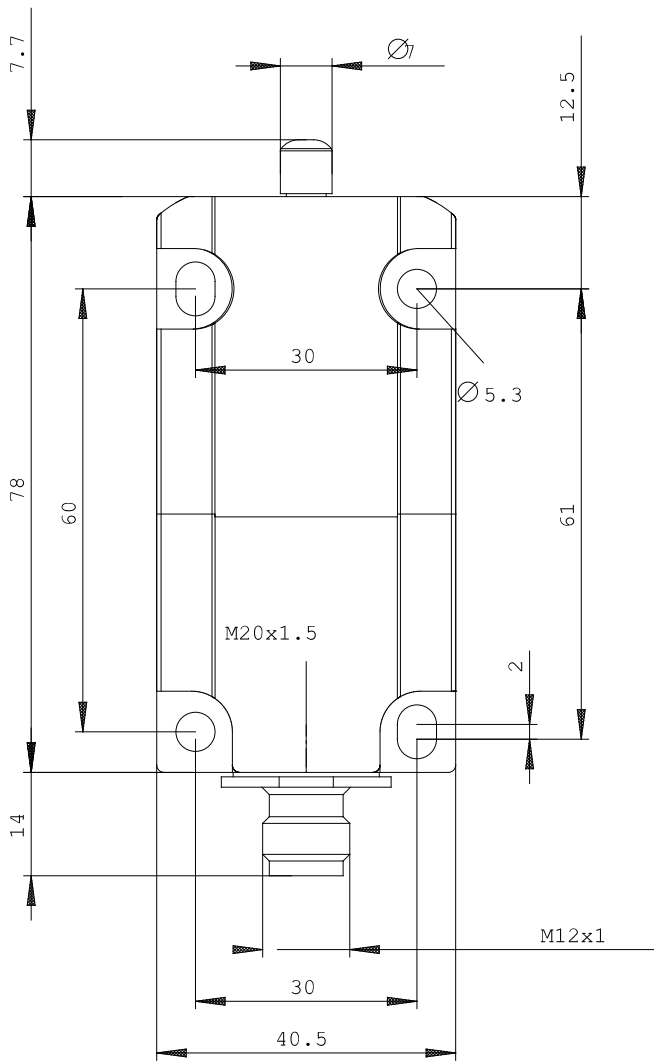
<http://www.siemens.com/cax>

Service&Support (Manuals, Certificates, Characteristics, FAQs,...)

<http://support.automation.siemens.com/WWW/view/en/3SE5114-0BA00-1AC5/all>

Image database (product images, 2D dimension drawings, 3D models, device circuit diagrams, ...)

http://www.automation.siemens.com/bilddb/cax_en.aspx?mlfb=3SE5114-0BA00-1AC5



last change:

Feb 18, 2013