



SIRIUS POSITION SWITCH,  
ATEX METAL ENCLOSURE 40MM TO EN50041 DEVICE  
CONNECTION 1X (M20X1.5) 1NO/ 1NC SNAP-ACTION  
CONTACTS ROUNDED PLUNGER W. OVERTRAVEL  
STAINLESS STEEL PLUNGER

**Manufacturer article number**

- of the basic unit included in the scope of supply
- of the actuator head for position switches included in the scope of supply

[3SE5112-0CA00-1DA0](#)

[3SE5000-0AC02](#)

**General technical details:**

**product designation**

standard position switch

**Product feature**

ATEX Zone 21/22

**Explosion protection category for dust**

Zone 21, 94/9/EC II 2D

**Insulation voltage**

- rated value

V

400

**Degree of pollution**

class 3

**Thermal current**

A

6

**Operating current**

- at AC-15
  - at 24 V / rated value
  - at 125 V / rated value
  - at 230 V / rated value
  - at 400 V / rated value
- at DC-13
  - at 24 V / rated value
  - at 125 V / rated value

A

6

A

6

A

6

A

4

A

3

A

0.55

<ul style="list-style-type: none"> <li>• at 230 V / rated value</li> <li>• at 400 V / rated value</li> </ul>	A	0.27
	A	0.1
<b>Continuous current</b>		
<ul style="list-style-type: none"> <li>• of the slow DIAZED fuse link</li> <li>• of the quick DIAZED fuse link</li> <li>• of the C characteristic circuit breaker</li> </ul>	A	6
	A	10
	A	1
<b>Mechanical operating cycles as operating time</b>		
<ul style="list-style-type: none"> <li>• typical</li> </ul>		15,000,000
<b>Electrical operating cycles as operating time</b>		
<ul style="list-style-type: none"> <li>• with contactor 3RH11, 3RT1016, 3RT1017, 3RT1024, 3RT1025, 3RT1026 / typical</li> <li>• at AC-15 / at 230 V / typical</li> </ul>		10,000,000
		100,000
<b>Electrical operating cycles in one hour</b>		
<ul style="list-style-type: none"> <li>• with contactor 3RH11, 3RT1016, 3RT1017, 3RT1024, 3RT1025, 3RT1026</li> </ul>		6,000
<b>Repeat accuracy</b>	mm	0.05
<b>Design of the contact element</b>		snap-action contacts
<b>Number of NC contacts</b>		
<ul style="list-style-type: none"> <li>• for auxiliary contacts</li> </ul>		1
<b>Design of the switching function</b>		positive opening
<b>Number of NO contacts</b>		
<ul style="list-style-type: none"> <li>• for auxiliary contacts</li> </ul>		1
<b>Resistance against vibration</b>		0.35 mm / 5g
<b>Resistance against shock</b>		30g / 11 ms
<b>Ambient temperature</b>		
<ul style="list-style-type: none"> <li>• during operating</li> <li>• during storage</li> </ul>	°C	-25 ... +85
	°C	-40 ... +90
<b>Product specification</b>		
<ul style="list-style-type: none"> <li>• for dimensions</li> </ul>		EN 50041
<b>Width of the sensor</b>	mm	40
<b>Material</b>		
<ul style="list-style-type: none"> <li>• of the enclosure</li> </ul>		metal
<b>Material / of the housing / of the switch head</b>		metal
<b>Design of the operating mechanism</b>		stainless steel plunger
<b>Actuating speed</b>	mm/s / m/s	0.1 ... 1.5
<b>Minimum actuating force / in activation direction</b>	N	20
<b>Protection class IP</b>		IP66/IP67
<b>mounting position</b>		any
<b>Cable gland version</b>		1x (M20 x 1.5)
<b>Design of the electrical connection</b>		screw-type terminals

**Item designation**

- according to DIN 40719 extendable after IEC 204-2
- according to DIN EN 61346-2

S  
B**Certificates/approvals:****General Product Approval****For use in  
hazardous  
locations****Functional Safety /  
Safety of  
Machinery**

CCC



GOST



UL



VDE



ATEX

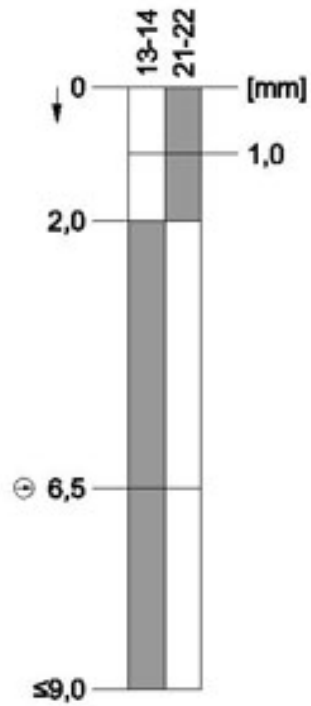
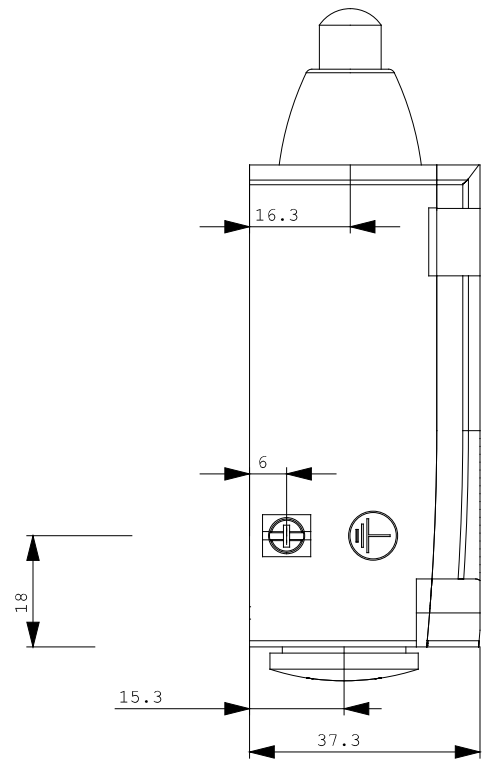
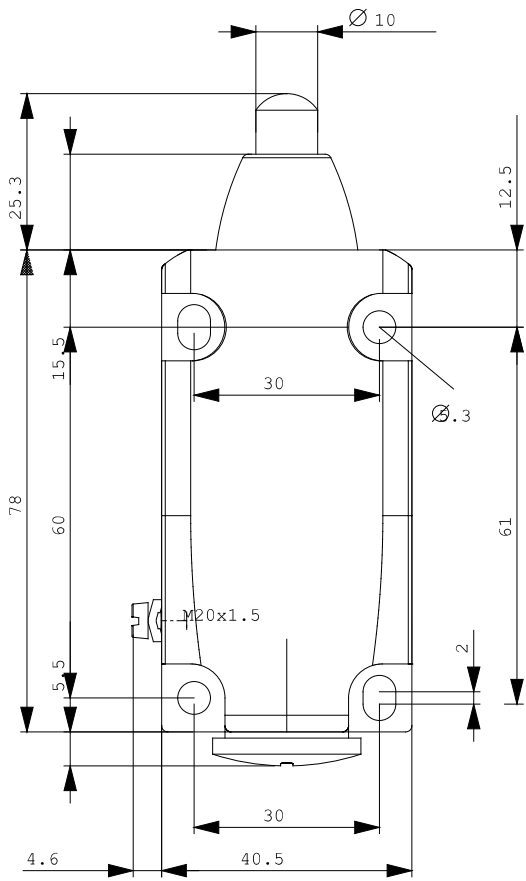


VDE

**Declaration of  
Conformity****Test Certificates****other**

EG-Konf.

[Special Test  
Certificate](#)[Confirmation](#)**Further information:****Information- and Downloadcenter (Catalogs, Brochures,...)**<http://www.siemens.com/industrial-controls/catalogs>**Industry Mall (Online ordering system)**<http://www.siemens.com/industrial-controls/mall>**CAX-Online-Generator**<http://www.siemens.com/cax>**Service&Support (Manuals, Certificates, Characteristics, FAQs,...)**<http://support.automation.siemens.com/WWW/view/en/3SE5112-0CC02-1DA0/all>**Image database (product images, 2D dimension drawings, 3D models, device circuit diagrams, ...)**[http://www.automation.siemens.com/bilddb/cax\\_en.aspx?mlfb=3SE5112-0CC02-1DA0](http://www.automation.siemens.com/bilddb/cax_en.aspx?mlfb=3SE5112-0CC02-1DA0)



last change:

Feb 18, 2013