



ACTUATOR HEAD FOR POSITION SWITCH 3SE51/52
ROLLER LEVER W. METAL LEVER AND PLASTIC
ROLLER 22MM

| General technical details: | | |
|--|----|-----------------------------------|
| product designation | | actuator head for position switch |
| Explosion protection category for dust | | none |
| Mechanical operating cycles as operating time • typical | | 15,000,000 |
| Resistance against vibration | | 0.35 mm / 5g |
| Resistance against shock | | 30g / 11 ms |
| Ambient temperature • during operating • during storage | °C | -25 ... +85 °C -40 ... +90 |
| Material / of the enclosure • of the switch head | | metal |
| Design of the operating mechanism | | metal lever, plastic roller |
| Minimum actuating force / in activation direction | N | 10 |
| mounting position | | any |
| Item designation • according to DIN 40719 extendable after IEC 204-2 / according to IEC 750 • according to DIN EN 61346-2 | | E T |

Certificates/approvals:

General Product Approval**Functional Safety /
Safety of
Machinery**

CCC



CSA



GOST



UL



VDE

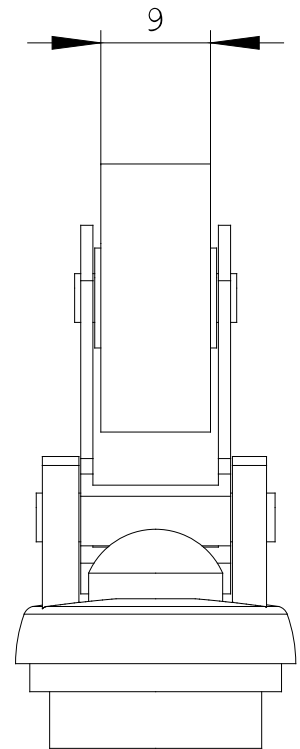
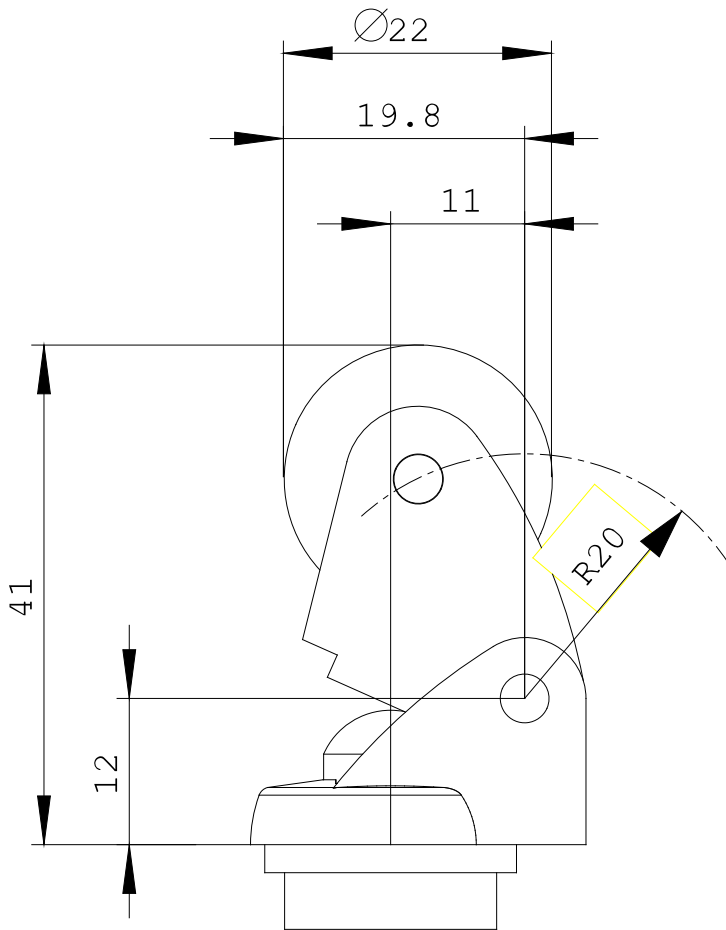


VDE

**Declaration of
Conformity**

EG-Konf.

Test Certificates[Special Test
Certificate](#)**other**[Confirmation](#)[Vibration Test
Certificates](#)**Further information:****Information- and Downloadcenter (Catalogs, Brochures,...)**<http://www.siemens.com/industrial-controls/catalogs>**Industry Mall (Online ordering system)**<http://www.siemens.com/industrial-controls/mall>**CAX-Online-Generator**<http://www.siemens.com/cax>**Service&Support (Manuals, Certificates, Characteristics, FAQs,...)**<http://support.automation.siemens.com/WWW/view/en/3SE5000-0AE01/all>**Image database (product images, 2D dimension drawings, 3D models, device circuit diagrams, ...)**http://www.automation.siemens.com/bilddb/cax_en.aspx?mlfb=3SE5000-0AE01



last change:

Jan 23, 2013