



TWIST LEVER FOR POSITION SWITCH 3SE51  
 STAINLESS STEEL LEVER,  
 27MM LONG,STEP 9MM,  
 FORM A W. PLASTIC ROLLER 19MM

General technical details:		
<b>product designation</b>		actuator for part-turn actuator
<b>Explosion protection category for dust</b>		none
<b>Mechanical operating cycles as operating time</b> • typical		15,000,000
<b>Resistance against vibration</b>		0.35 mm / 5g
<b>Resistance against shock</b>		30g / 11 ms
<b>Ambient temperature</b> • during operating • during storage	°C	-25 ... +85 -40 ... +90
<b>Design of the operating mechanism</b>		stainless steel lever, 27 mm long, step 9 mm, plastic roller 19 mm
<b>mounting position</b>		any
<b>Item designation</b> • according to DIN 40719 extendable after IEC 204-2 / according to IEC 750 • according to DIN EN 61346-2		E T

**Certificates/approvals:**

**General Product Approval****Functional Safety /  
Safety of  
Machinery**

CCC



CSA



GOST



UL



VDE

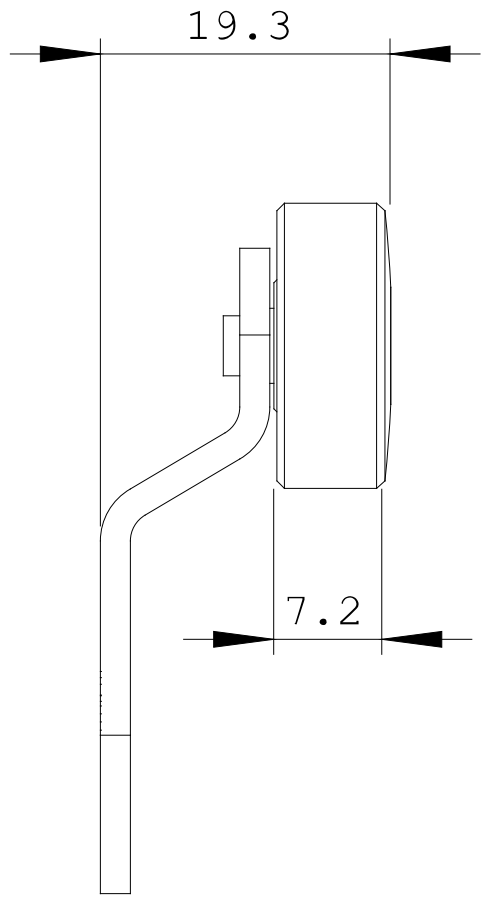
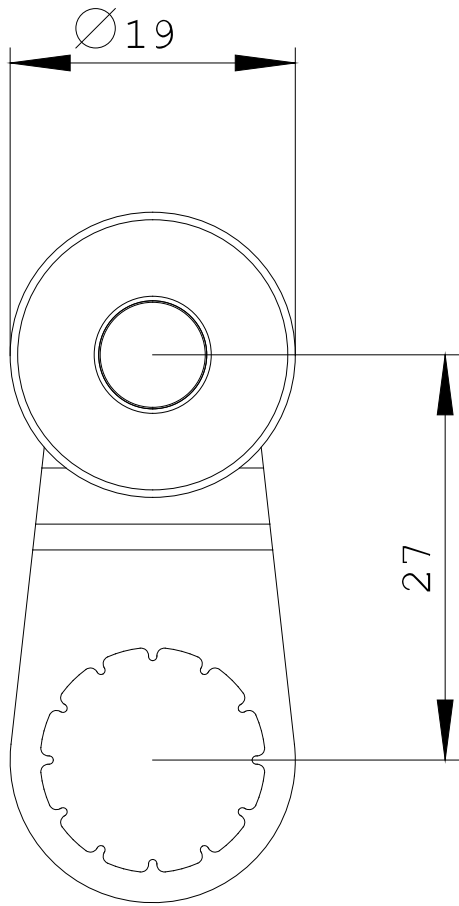


VDE

**Declaration of  
Conformity**

EG-Konf.

**Test Certificates**[Special Test  
Certificate](#)**other**[Confirmation](#)[Vibration Test  
Certificates](#)**Further information:****Information- and Downloadcenter (Catalogs, Brochures,...)**<http://www.siemens.com/industrial-controls/catalogs>**Industry Mall (Online ordering system)**<http://www.siemens.com/industrial-controls/mall>**CAX-Online-Generator**<http://www.siemens.com/cax>**Service&Support (Manuals, Certificates, Characteristics, FAQs,...)**<http://support.automation.siemens.com/WWW/view/en/3SE5000-0AA11/all>**Image database (product images, 2D dimension drawings, 3D models, device circuit diagrams, ...)**[http://www.automation.siemens.com/bilddb/cax\\_en.aspx?mlfb=3SE5000-0AA11](http://www.automation.siemens.com/bilddb/cax_en.aspx?mlfb=3SE5000-0AA11)



last change:

Jan 23, 2013