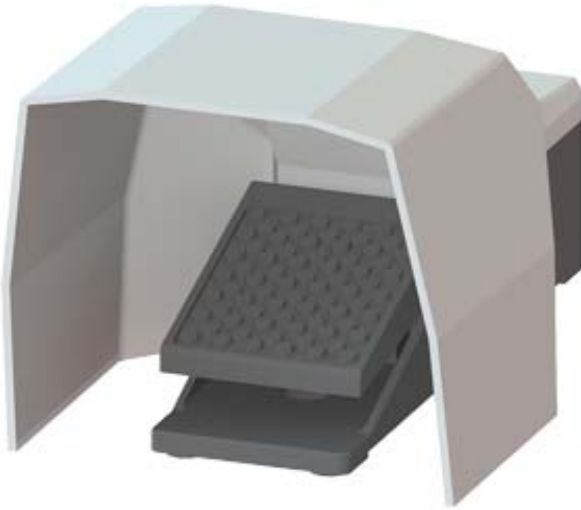


FOOT-OPERATED BUTTON,
SINGEL PEDAL (WITHOUT LATCHING) CABLE ENTRY
M20X1,5 IP 65,
2NO + 2NC WITH COVER



General technical details:		
Product designation		momentary-contact foot switch
Product equipment / interlock		No
Product equipment / notch		No
Product component / covering		Yes
Operating current / at AC-15 / at 230 V / rated value	A	10
Number of switching steps		1
Number of the activation pedals		1
Reference code / according to DIN 40719 extended according to IEC 204-2 / according to IEC 750		S
Reference code / according to DIN EN 61346-2		S
Mounting type		screw fixing

Enclosure:		
Material / of the enclosure		metal
Color / of the housing		black
Color / of top part of the enclosure		grey
Color		grey-black
Width	mm	156
Height	mm	265
Depth	mm	138

Contact:

Number of NC contacts / for auxiliary contacts		2
Number of NO contacts / for auxiliary contacts		2
Cable gland version		M20 x 1.5

Ambient conditions:

Protection class IP		IP65
Ambient temperature / during operating	°C	80
Ambient temperature / during operating	°C	-25

Certificates/approvals:

Suitability for use / safety cut-out switch		No
---	--	----

General Product Approval**Declaration of Conformity**

CSA

EG-Konf.

Shipping Approval**other**

ABS



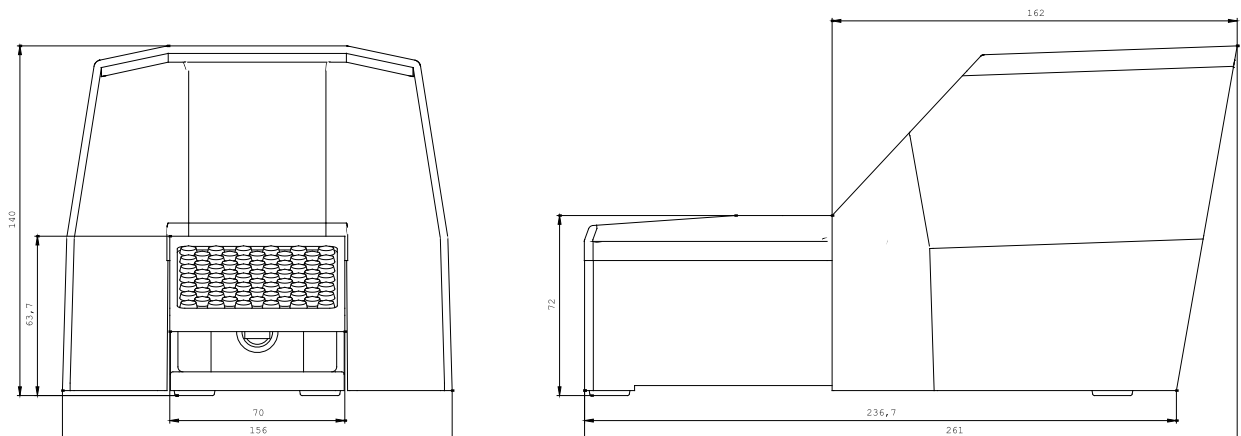
LRS



PRS



RINA

[Confirmation](#)[other](#)**Further information:****Information- and Downloadcenter (Catalogs, Brochures,...)**<http://www.siemens.com/industrial-controls/catalogs>**Industry Mall (Online ordering system)**<http://www.siemens.com/industrial-controls/mall>**CAX-Online-Generator**<http://www.siemens.com/cax>**Service&Support (Manuals, Certificates, Characteristics, FAQs,...)**<http://support.automation.siemens.com/WW/view/en/3SE2903-1AA20/all>**Image database (product images, 2D dimension drawings, 3D models, device circuit diagrams, ...)**http://www.automation.siemens.com/bilddb/cax_en.aspx?mlfb=3SE2903-1AA20

last change:

Jan 21, 2013