



FOOT -OPERATED BUTTON,
SINGLE PEDAL(WITHOUT LATCHING),
CABLE ENTRY 1X(M20X1,5) METAL CASING IP65,
1 NO + 1 NC WITHOUT PROTECTIVE COVER

General technical details:		
Product designation		momentary-contact foot switch
Product equipment / interlock		No
Product equipment / notch		No
Product component / covering		No
Operating current / at AC-15 / at 230 V / rated value	A	16
Number of switching steps		1
Number of the activation pedals		1
Reference code / according to DIN 40719 extended according to IEC 204-2 / according to IEC 750		S
Reference code / according to DIN EN 61346-2		S
Mounting type		screw fixing
Enclosure:		
Material / of the enclosure		metal
Color / of the housing		black
Color / of top part of the enclosure		grey
Color		grey-black
Width	mm	70
Height	mm	220
Depth	mm	61

Contact:

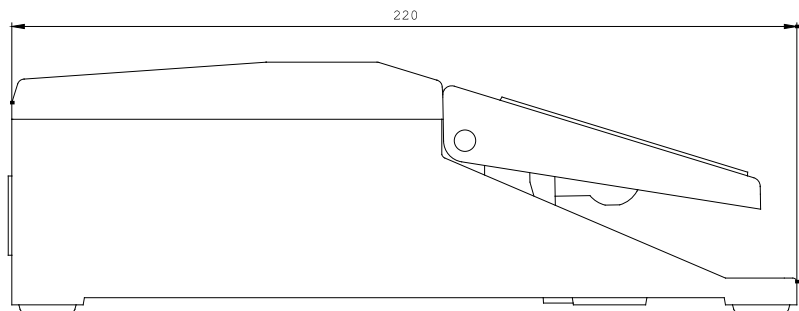
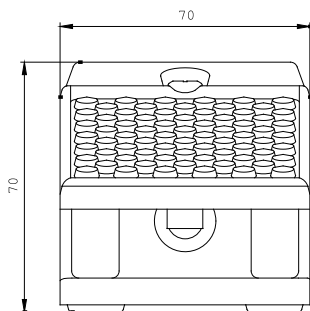
Number of NC contacts / for auxiliary contacts		1
Number of NO contacts / for auxiliary contacts		1
Cable gland version		M20 x 1.5

Ambient conditions:

Protection class IP		IP65
Ambient temperature / during operating	°C	80
Ambient temperature / during operating	°C	-25

Certificates/approvals:

Suitability for use / safety cut-out switch		No
---	--	----

General Product Approval**Declaration of Conformity****Shipping Approval****other**[Confirmation](#)[other](#)**Further information:****Information- and Downloadcenter (Catalogs, Brochures,...)**<http://www.siemens.com/industrial-controls/catalogs>**Industry Mall (Online ordering system)**<http://www.siemens.com/industrial-controls/mall>**CAX-Online-Generator**<http://www.siemens.com/cax>**Service&Support (Manuals, Certificates, Characteristics, FAQs,...)**<http://support.automation.siemens.com/WWW/view/en/3SE2902-0AB20/all>**Image database (product images, 2D dimension drawings, 3D models, device circuit diagrams, ...)**http://www.automation.siemens.com/bilddb/cax_en.aspx?mlfb=3SE2902-0AB20**last change:**

Jan 21, 2013