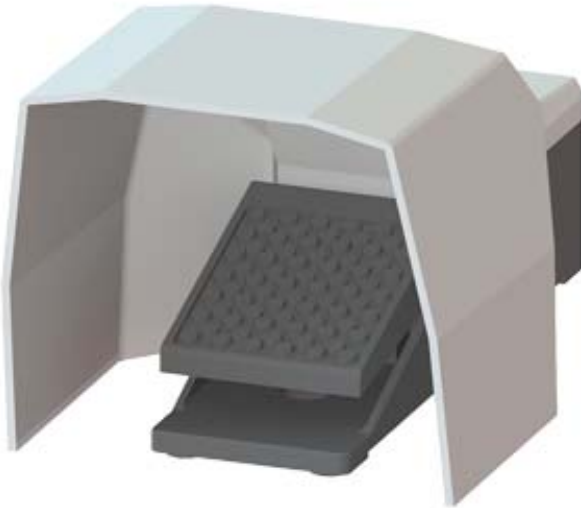


FOOT -OPERATED BUTTON,
(WITHOUT LATCHING) SINGLE PEDAL,
M20X1,5 CABLE ENTRY IP65,
1NO + 1NC WITH COVER



General technical details:		
Product designation		momentary-contact foot switch
Product equipment / interlock		No
Product equipment / notch		No
Product component / covering		Yes
Operating current / at AC-15 / at 230 V / rated value	A	16
Number of switching steps		1
Number of the activation pedals		1
Reference code / according to DIN 40719 extended according to IEC 204-2 / according to IEC 750		S
Reference code / according to DIN EN 61346-2		S
Mounting type		screw fixing
Enclosure:		
Material / of the enclosure		metal
Color / of the housing		black
Color / of top part of the enclosure		grey
Color		grey-black
Width	mm	156
Height	mm	265
Depth	mm	138

Contact:

Number of NC contacts / for auxiliary contacts		1
Number of NO contacts / for auxiliary contacts		1
Cable gland version		M20 x 1.5

Ambient conditions:

Protection class IP		IP65
Ambient temperature / during operating	°C	80
Ambient temperature / during operating	°C	-25

Certificates/approvals:

Suitability for use / safety cut-out switch		No
---	--	----

General Product Approval**Declaration of Conformity****Shipping Approval****other**[Confirmation](#)[other](#)**Further information:****Information- and Downloadcenter (Catalogs, Brochures,...)**

<http://www.siemens.com/industrial-controls/catalogs>

Industry Mall (Online ordering system)

<http://www.siemens.com/industrial-controls/mall>

CAX-Online-Generator

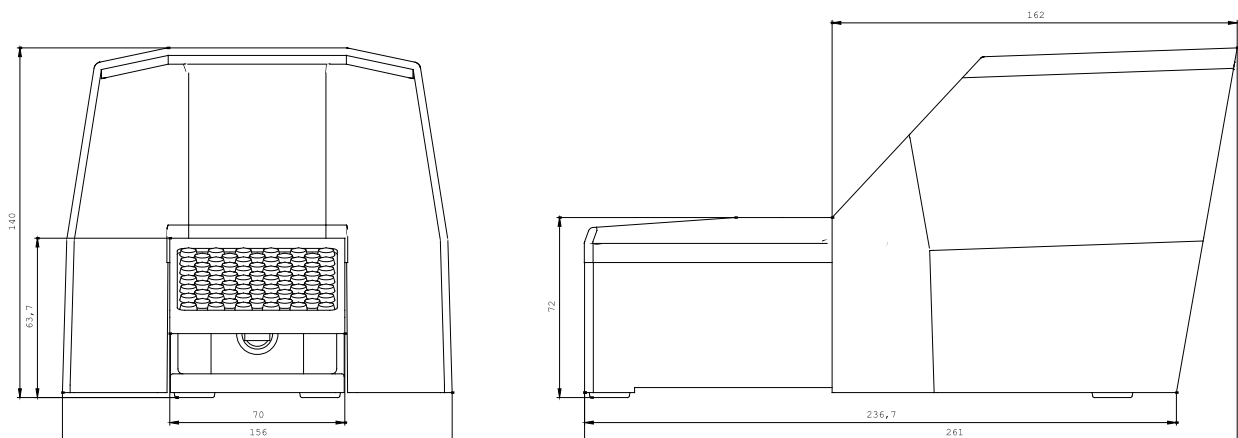
<http://www.siemens.com/cax>

Service&Support (Manuals, Certificates, Characteristics, FAQs,...)

<http://support.automation.siemens.com/WWW/view/en/3SE2902-0AA20/all>

Image database (product images, 2D dimension drawings, 3D models, device circuit diagrams, ...)

http://www.automation.siemens.com/bilddb/cax_en.aspx?mlfb=3SE2902-0AA20



last change:

Jan 21, 2013