

DOOR-COUPLING ROTARY OPERATING MECHANISM, FOR CIRCUIT-BREAKERS SIZE S3, EMERG. STOP HANDLE NEW DESIGN

General technical data:		
product brand name		SIRIUS
Product designation		door-coupling rotary operating mechanism for heavy-duty operating conditions
Size of the circuit-breaker		S3
Design of the product		EMERGENCY OFF door-coupling rotary operating mechanism
Acceptability for application		circuit-breakers S3
Protection class IP / on the front		IP65
Ambient temperature		
• during storage	°C	-50 ... +80
• during operating	°C	-20 ... +70
Operating cycles / maximum	1/h	15
Color / of the activation element		red / yellow

Installation/mounting/dimensions:		
mounting position		any
Mounting type		screw fixing
Width	mm	75
Height	mm	75
Depth	mm	78

Length	mm	300
Diameter	mm	40
Distance, to be maintained, to earthed part		
• forwards	mm	0
• backwards	mm	0
• upwards	mm	0
• sideways	mm	0
• downwards	mm	0

Certificates/approvals:

Verification of suitability

CE / UL / CSA

General Product Approval

Shipping Approval



other

[Confirmation](#)



[other](#)

[Environmental Confirmations](#)

Further information:

Information- and Downloadcenter (Catalogs, Brochures,...)

<http://www.siemens.com/industrial-controls/catalogs>

Industry Mall (Online ordering system)

<http://www.siemens.com/industrial-controls/mall>

CAX-Online-Generator

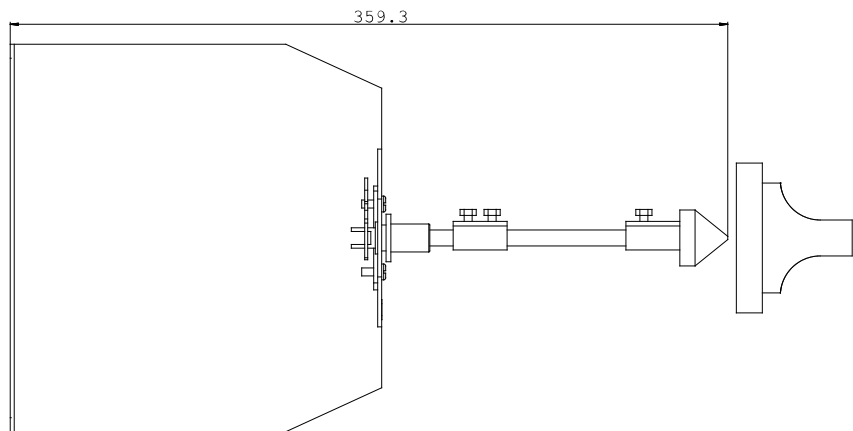
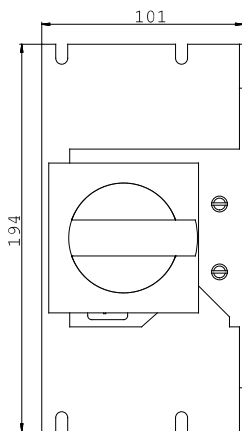
<http://www.siemens.com/cax>

Service&Support (Manuals, Certificates, Characteristics, FAQs,...)

<http://support.automation.siemens.com/WW/view/en/3RV2946-2C/all>

Image database (product images, 2D dimension drawings, 3D models, device circuit diagrams, ...)

http://www.automation.siemens.com/bilddb/cax_en.aspx?mlfb=3RV2946-2C



last change:

Jun 16, 2014