



Safety light curtains C4000 Palletizer Standard

C40E-0704FP010, C40S-0704CD010



receiver

Model Name > C40E-0704FP010
Part No. > 1043171



sender

Model Name > C40S-0704CD010
Part No. > 1043445



At a glance

- Type 4 (IEC 61496), PL e (EN ISO 13849)
- Self-teaching, dynamic blanking detects goods and pallets
- Direction recognition
- Multiple sampling
- Reduced resolution
- Muting alternative
- Beam coding
- Object gap suppression

Your benefits

- Cost-effective: No additional muting sensors or protective measures are required.
- A compact sensor pair reduces the mounting requirements considerably - additional muting sensors are not required
- With the dynamic and self-teaching blanking function, the system can reliably differentiate between people and material - this provides maximum safety
- The assorted feasibility of pallets allows the passage of mesh boxes, Euro pallets and half pallets, increasing plant availability
- Saves storage space: pallets can be parked permanently in the protective field
- One system monitors several conveyor belts, reducing sensor costs
- Quick commissioning: Euro pallets, mesh boxes etc. are detected without any programming



Functions-Sender

| | |
|---|---|
| Beam coding: | ✓ |
| Beam coding (delivery status): | Code 1 |
| Configuration method: | PC with CDS (Configuration and Diagnostic Software) |
| Safe SICK device communication via EFI/SDL: | ✓ |

Functions-Receiver

| | |
|--|--|
| Restart interlock: | ✓ |
| Restart interlock (delivery status): | External |
| External device monitoring (EDM): | ✓ |
| External device monitoring (delivery status): | Deactivated |
| Beam coding: | ✓ |
| Beam coding (delivery status): | Code 1 |
| Multiple sampling: | ✓ |
| Multiple sampling (delivery status): | 2 x sampling |
| Direction monitoring: | ✓ |
| Reduced resolution: | ✓ |
| Reduced resolution (delivery status): | 3 beams |
| Bypass (with UE402): | ✓ |
| Emergency stop/bypass at extension connection: | - |
| Operating mode switching (with UE402): | ✓ |
| Type of blanking: | self-teach dynamic blanking |
| Type of blanking (delivery status): | Goods detection: 500 mm ... protective field height - 150 mm |
| Speed monitoring: | ✓ |
| Goods detection: | ✓ |
| Object size monitoring: | ✓ |
| Teach-in of individual objects: | ✓ |
| Object gap suppression: | ✓ |
| Palett detection: | - |
| Object entry monitoring: | ✓ |
| SDL interface: | ✓ |
| Configuration method: | PC with CDS (Configuration and Diagnostic Software) |
| Extension connection: | - |
| Safe SICK device communication via EFI/SDL: | ✓ |

Technical Data-Sender

| | |
|--|---|
| Protective field height: | 750 mm |
| Resolution: | 40 mm |
| Scanning range from ... to: | 0.5 m ... 6 m |
| Scanning range from ... to (delivery status): | 0.5 m ... 6 m |
| Housing length: | 879 mm |
| Type: | Type 4 (IEC 61496) |
| Safety integrity level: | SIL3 (IEC 61508), SILCL3 (IEC 62061) |
| Category: | category 4 (EN ISO 13849) |
| Performance level: | PL e (EN ISO 13849) |
| PFHd (mean probability of a dangerous failure per hour): | 1.5 * 1E-08 (EN ISO 13849) |
| TM (mission time): | 20 a (EN ISO 13849) |
| Supply voltage typical, from, to: | 24 V DC, 19.2 V DC, 28.8 V DC |
| Power consumption: | ≤ 1 A |
| Connection type: | Hirschmann plug M26 x 11 + FE, straight |
| Connection type configuration connection: | M8 x 4 |
| Maximum connection cable cross-section: | 0.75 mm ² |
| Wave length: | 950 nm |
| Protection class: | III (EN 50178) |
| Enclosure rating: | IP 65 (EN 60529) |
| Ambient operating temperature: | 0 °C ... 55 °C |
| Vibration resistance (checked to): | 5 g (IEC 60068-2-6) |

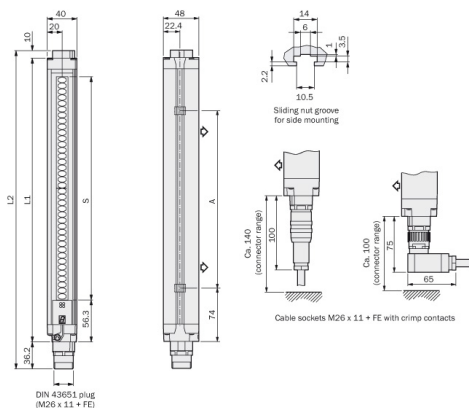
Oscillation frequency from ... to: 10 Hz ... 55 Hz
 Shock resistance: 10 g, 16 ms (IEC 60068-2-29)
 Weight: 1,670 g

Technical Data-Receiver

Protective field height: 750 mm
 Resolution: 40 mm
 Scanning range from ... to: 0.5 m ... 6 m
 Scanning range from ... to (delivery status): 0.5 m ... 6 m
 Housing length: 879 mm
 Type: Type 4 (IEC 61496)
 Safety integrity level: SIL3 (IEC 61508), SILCL3 (IEC 62061)
 Category: category 4 (EN ISO 13849)
 Performance level: PL e (EN ISO 13849)
 PFHd (mean probability of a dangerous failure per hour): $1.5 * 1E-08$ (EN ISO 13849)
 TM (mission time): 20 a (EN ISO 13849)
 Supply voltage typical, from, to: 24 V DC, 19.2 V DC, 28.8 V DC
 Response time: 10 ms¹⁾
 Power consumption: ≤ 1.8 A
 Maximum switching current: 500 mA
 Wave length: 950 nm
 Connection type: Hirschmann plug M26 x 11 + FE, straight
 Connection type configuration connection: M8 x 4
 Maximum connection cable cross-section: 0.75 mm²
 Protection class: III (EN 50178)
 Enclosure rating: IP 65 (EN 60529)
 Ambient operating temperature: 0 °C ... 55 °C
 Vibration resistance (checked to): 5 g (IEC 60068-2-6)
 Oscillation frequency from ... to: 10 Hz ... 55 Hz
 Shock resistance: 10 g, 16 ms (IEC 60068-2-29)
 Weight: 1,700 g

¹⁾ Without beam coding, with 1 x sampling, no cascaded systems. Other response times see operating instructions.

Dimensional drawing



Australia

Phone +61 3 9457 0600
1800 33 48 02 – tollfree
E-Mail sales@sick.com.au

Belgium/Luxembourg

Phone +32 (0)2 466 55 66
E-Mail info@sick.be

Brasil

Phone +55 11 3215-4900
E-Mail marketing@sick.com.br

Canada

Phone +1 905 771 14 44
E-Mail information@sick.com

Česká republika

Phone +420 2 57 91 18 50
E-Mail sick@sick.cz

China

Phone +86 4000 121 000
E-Mail info.china@sick.net.cn
Phone +852-2153 6300
E-Mail ghk@sick.com.hk

Danmark

Phone +45 45 82 64 00
E-Mail sick@sick.dk

Deutschland

Phone +49 211 5301-301
E-Mail info@sick.de

España

Phone +34 93 480 31 00
E-Mail info@sick.es

France

Phone +33 1 64 62 35 00
E-Mail info@sick.fr

Great Britain

Phone +44 (0)1727 831121
E-Mail info@sick.co.uk

India

Phone +91-22-4033 8333
E-Mail info@sick-india.com

Israel

Phone +972-4-6881000
E-Mail info@sick-sensors.com

Italia

Phone +39 02 27 43 41
E-Mail info@sick.it

Japan

Phone +81 (0)3 5309 2112
E-Mail support@sick.jp

Magyarország

Phone +36 1 371 2680
E-Mail office@sick.hu

Nederland

Phone +31 (0)30 229 25 44
E-Mail info@sick.nl

Norge

Phone +47 67 81 50 00
E-Mail sick@sick.no

Österreich

Phone +43 (0)22 36 62 28 8-0
E-Mail office@sick.at

Polska

Phone +48 22 837 40 50
E-Mail info@sick.pl

România

Phone +40 356 171 120
E-Mail office@sick.ro

Russia

Phone +7-495-775-05-30
E-Mail info@sick.ru

Schweiz

Phone +41 41 619 29 39
E-Mail contact@sick.ch

Singapore

Phone +65 6744 3732
E-Mail sales.gsg@sick.com

Slovenija

Phone +386 (0)1-47 69 990
E-Mail office@sick.si

South Africa

Phone +27 11 472 3733
E-Mail info@sickautomation.co.za

South Korea

Phone +82 2 786 6321/4
E-Mail info@sickkorea.net

Suomi

Phone +358-9-25 15 800
E-Mail sick@sick.fi

Sverige

Phone +46 10 110 10 00
E-Mail info@sick.se

Taiwan

Phone +886 2 2375-6288
E-Mail sales@sick.com.tw

Türkiye

Phone +90 (216) 528 50 00
E-Mail info@sick.com.tr

United Arab Emirates

Phone +971 (0) 4 88 65 878
E-Mail info@sick.ae

USA/México

Phone +1(952) 941-6780
1 (800) 325-7425 – tollfree
E-Mail info@sickusa.com

More representatives and agencies
at www.sick.com