



Photoelectric sensors
W12-3, Through-beam photoelectric sensor

WSE12-3N2411S37



Model Name > [WSE12-3N2411S37](#)
Part No. > [1045357](#)



Illustration may differ

At a glance

- Through-beam variant
- Rugged die-cast zinc housing optional Teflon® coating
- PinPoint LED technology with highly visible light spot
- Chemically, thermally and mechanically resistant metal housing
- Dovetail mounting - mounting holes and oblong holes
- Highly visible status LEDs
- Operating range up to 20 m

Your benefits

- Outstanding sensor performance in small housings
- Reliable object detection of difficult targets using best-in-class technology
- A wide range of different sensor housings and connection systems ensures optimal integration of sensors in the system
- Many options for protective housings - super tough VISTAL™, metal or highly resistant plastic, ensures that the sensor can be installed without damage
- Wide range of accessories ensures easy installation, quick commissioning and maximum sensor performance for varying application needs



Features

Sensor/detection principle:	Through-beam photoelectric sensor
Dimensions (W x H x D):	15.6 mm x 48.5 mm x 42 mm
Housing design (light emission):	Rectangular
Sensing range max.:	0 m ... 5 m
Sensing range:	0 m ... 4 m
Type of light:	Infrared light
Light source:	LED ¹⁾
Wave length:	850 nm
Angle of dispersion:	Ca. 4 °
Adjustment:	Potentiometer, 5-turn
Light spot size (distance):	Ø 750 mm (5 m)

¹⁾ Average service life of 100,000 h at T_A = +25 °C

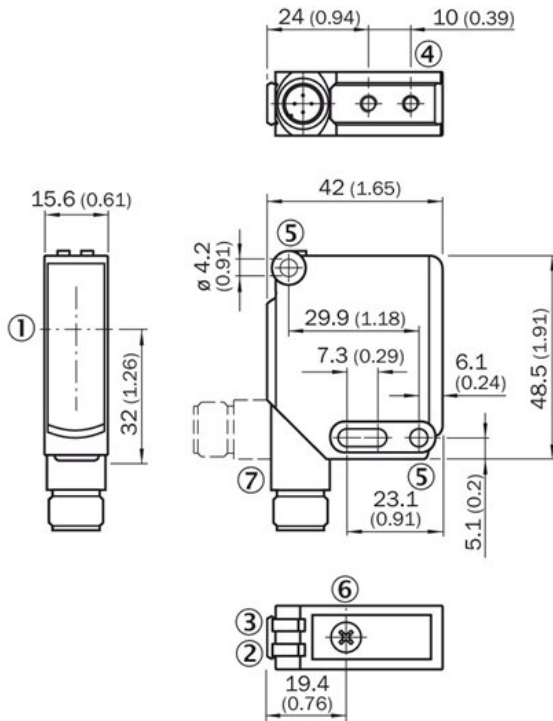
Mechanics/electronics

Supply voltage:	10 V DC ... 30 V DC ¹⁾
Ripple:	≤ 5 Vpp ²⁾

Power consumption, sender:	≤ 30 mA ³⁾
Power consumption, receiver:	≤ 25 mA ⁴⁾
Output type:	NPN
Output function:	Complementary
Switching mode:	Light/dark-switching
Signal voltage NPN HIGH/LOW:	Approx. $V_S / < 2.5 V$
Output current I _{max.} :	100 mA
Response time:	≤ 5,000 μs ⁵⁾
Switching frequency:	100 Hz ⁶⁾
Connection type:	Connector M12, 4-pin
Circuit protection:::	A, C, D ^{7) 8) 9)}
Protection class:	II
Weight:	120 g
Special device:	✓
Housing material:	Metal
Enclosure rating:	IP 66 IP 67 IP 69K
Test input sender off:	Sender off, TE to 0 V
Ambient operating temperature:	-40 °C ... 60 °C
Ambient storage temperature:	-40 °C ... 75 °C
Part number of individual components:	Receiver, WE12-3N2411S37, 2056043Receiver, WE12-3N2411S37, 2056043, Sender, WS12-3D2410S36, 2046741Sender, WS12- 3D2410S36, 2046741
UL File No.:	NRKH.E181493 & NRKH7.E181493

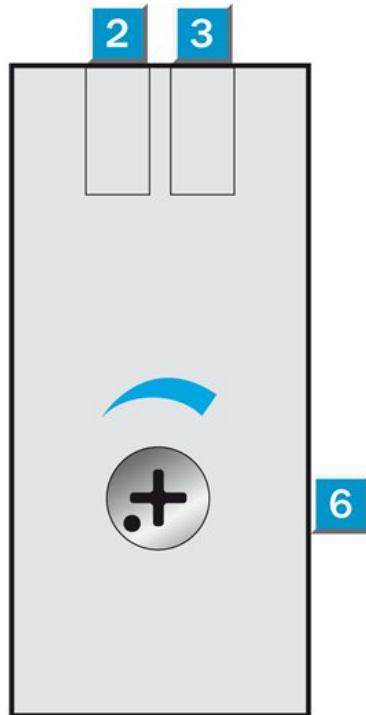
¹⁾ Limit values, operation in short-circuit protected network max. 8 A ²⁾ May not exceed or fall short of V_S tolerances ^{3) 4)} Without load ⁵⁾ Signal transit time with resistive load ⁶⁾ With light/dark ratio 1:1 ⁷⁾ A = V_S connections reverse-polarity protected ⁸⁾ C = interference suppression ⁹⁾ D = outputs overcurrent and short-circuit protected

Dimensional drawing



- [1] Optical axis
- [2] LED indicator yellow: Light received
- [3] Green LED indicator: supply voltage active
- [4] M4 threaded mounting hole, 4 mm deep
- [5] Mounting hole, \varnothing 4.2 mm
- [6] Sensitivity adjustment: poti
- [7] Connection

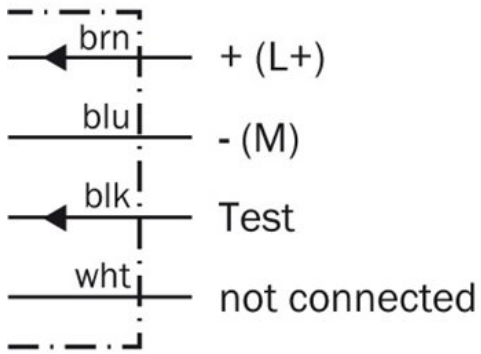
Adjustments possible



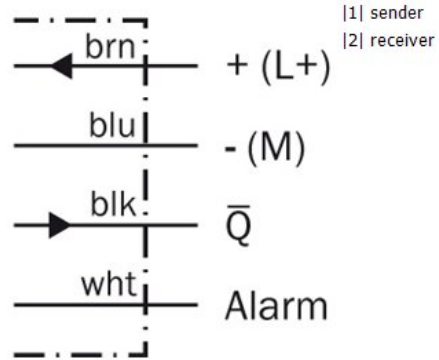
- [2] LED indicator yellow: Light received
- [3] Green LED indicator: supply voltage active
- [6] Sensitivity adjustment: poti

Connection diagram

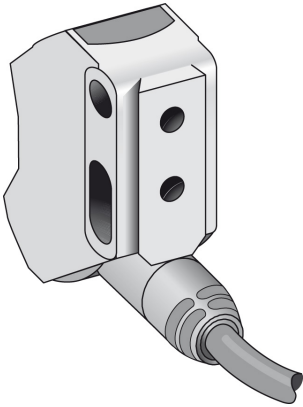
①



②



Connection type



Australia

Phone +61 3 9457 0600
1800 334 802 – tollfree
E-Mail sales@sick.com.au

Belgium/Luxembourg

Phone +32 (0)2 466 55 66
E-Mail info@sick.be

Brasil

Phone +55 11 3215-4900
E-Mail sac@sick.com.br

Canada

Phone +1 905 771 14 44
E-Mail information@sick.com

Ceská Republika

Phone +420 2 57 91 18 50
E-Mail sick@sick.cz

China

Phone +86 4000 121 000
E-Mail info.china@sick.net.cn
Phone +852-2153 6300
E-Mail ghk@sick.com.hk

Danmark

Phone +45 45 82 64 00
E-Mail sick@sick.dk

Deutschland

Phone +49 211 5301-301
E-Mail kundenservice@sick.de

España

Phone +34 93 480 31 00
E-Mail info@sick.es

France

Phone +33 1 64 62 35 00
E-Mail info@sick.fr

Great Britain

Phone +44 (0)1727 831121
E-Mail info@sick.co.uk

India

Phone +91-22-4033 8333
E-Mail info@sick-india.com

Israel

Phone +972-4-6801000
E-Mail info@sick-sensors.com

Italia

Phone +39 02 27 43 41
E-Mail info@sick.it

Japan

Phone +81 (0)3 3358 1341
E-Mail support@sick.jp

Magyarország

Phone +36 1 371 2680
E-Mail office@sick.hu

Nederlands

Phone +31 (0)30 229 25 44
E-Mail info@sick.nl

Norge

Phone +47 67 81 50 00
E-Mail austefjord@sick.no

Österreich

Phone +43 (0)22 36 62 28 8-0
E-Mail office@sick.at

Polska

Phone +48 22 837 40 50
E-Mail info@sick.pl

România

Phone +40 356 171 120
E-Mail office@sick.ro

Russia

Phone +7-495-775-05-30
E-Mail info@sick.ru

Schweiz

Phone +41 41 619 29 39
E-Mail contact@sick.ch

Singapore

Phone +65 6744 3732
E-Mail admin@sicksgp.com.sg

Slovenija

Phone +386 (0)1-47 69 990
E-Mail office@sick.si

South Africa

Phone +27 11 472 3733
E-Mail info@sickautomation.co.za

South Korea

Phone +82 2 786 6321/4
E-Mail info@sickkorea.net

Suomi

Phone +358-9-25 15 800
E-Mail sick@sick.fi

Sverige

Phone +46 10 110 10 00
E-Mail info@sick.se

Taiwan

Phone +886-2-2375-6288
E-Mail sales@sick.com.tw

Türkiye

Phone +90 (216) 528 50 00
E-Mail info@sick.com.tr

United Arab Emirates

Phone +971 (0) 4 8865 878
E-Mail info@sick.ae

USA/México

Phone +1(952) 941-6780
1 800-325-7425 – tollfree
E-Mail info@sickusa.com

More representatives and agencies
at www.sick.com