



Photoelectric sensors
W12-3, Photoelectric retro-reflective sensor,
autocollimation

WL12-3P1131



Model Name > [WL12-3P1131](#)
Part No. > [1041437](#)



Illustration may differ

At a glance

- Retro-reflective with autocollimation principle
- Rugged housing designed to withstands harsh environments
- PinPoint LED technology with highly visible light spot
- Rugged die-cast zinc housing, optional Teflon® coating
- Dovetail mounting - mounting holes and oblong holes
- Highly visible status LEDs
- Sensing range adjustment via potentiometer

Your benefits

High immunity to ambient light and crosstalk ensures fewer false readings and less downtime

Quick and easy setup due to highly visible PinPoint LED light spot

Highly visible status LEDs simplify sensitivity adjustments and reduce installation time

Rugged metal housing (optional Teflon® coating available) requires fewer maintenance costs due to its resistance to high-pressure cleaning

Increased reliability in harsh wash down environments

Easy installation using SICK accessories



Features

Sensor/detection principle:	Photoelectric retro-reflective sensor, autocollimation
Dimensions (W x H x D):	15.6 mm x 48.5 mm x 42 mm
Housing design (light emission):	Rectangular
Sensing range max.:	0 m ... 7 m ¹⁾
Sensing range:	0 m ... 5 m ²⁾
Type of light:	Visible red light
Light source:	LED ³⁾
Wave length:	640 nm
Angle of dispersion:	Ca. 1.5 °
Adjustment:	Potentiometer, 5-turn
Light spot size (distance):	Ø 100 mm (3 m)

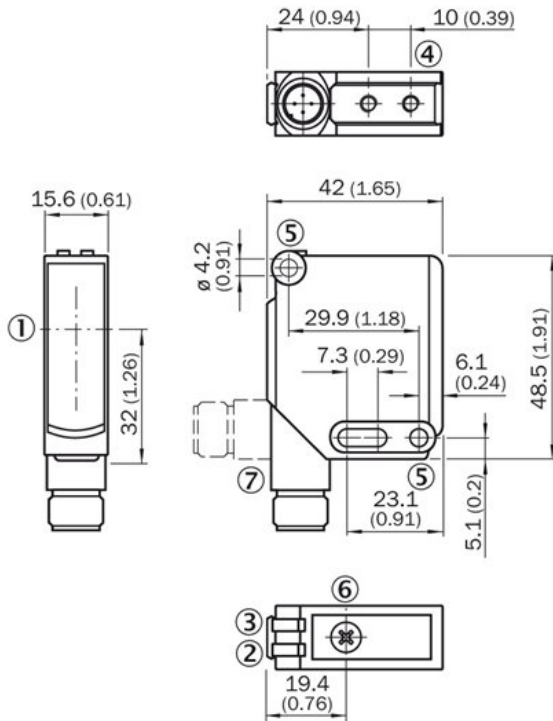
^{1) 2)} PL80A ³⁾ Average service life of 100,000 h at T_A = +25 °C

Mechanics/electronics

Supply voltage:	10 V DC ... 30 V DC ¹⁾
Ripple:	$\leq 5 \text{ Vpp}$ ²⁾
Power consumption:	$\leq 30 \text{ mA}$ ³⁾
Output type:	PNP
Output function:	Complementary
Switching mode:	Light/dark-switching
Signal voltage PNP HIGH/LOW:	$> U_v - 2,5 \text{ V} / \text{ca. } 0 \text{ V}$
Output current I _{max.} :	100 mA
Response time:	$\leq 330 \mu\text{s}$ ⁴⁾
Switching frequency:	1,500 Hz ⁵⁾
Connection type:	Cable, 4-wire, 2 m ⁶⁾
Cable material:	PVC
Conductor cross-section:	0.25 mm ²
Circuit protection:::	A, C, D ⁷⁾ ⁸⁾ ⁹⁾
Protection class:	II
Weight:	200 g
Polarisation filter:	✓
Special device:	-
Housing material:	Metal
Enclosure rating:	IP 66 IP 67 IP 69K
Ambient operating temperature:	-40 °C ... 60 °C
Ambient storage temperature:	-40 °C ... 75 °C
UL File No.:	NRKH.E181493 & NRKH7.E181493

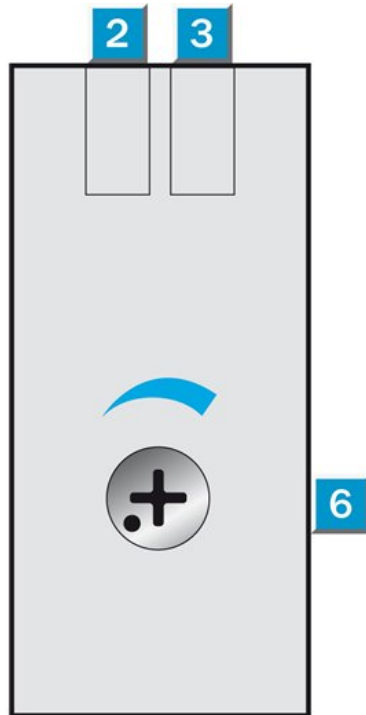
¹⁾ Limit values, operation in short-circuit protected network max. 8 A ²⁾ May not exceed or fall short of V_S tolerances ³⁾ Without load ⁴⁾ Signal transit time with resistive load ⁵⁾ With light/dark ratio 1:1 ⁶⁾ Do not bend below 0 °C ⁷⁾ A = V_S connections reverse-polarity protected ⁸⁾ C = interference suppression ⁹⁾ D = outputs overcurrent and short-circuit protected

Dimensional drawing



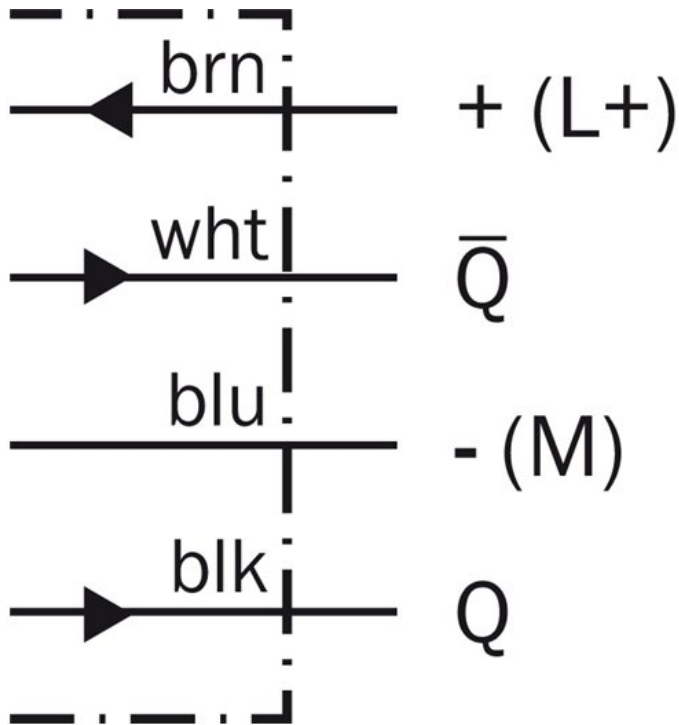
- [1] Optical axis
- [2] LED indicator yellow: Light received
- [3] Green LED indicator: supply voltage active
- [4] M4 threaded mounting hole, 4 mm deep
- [5] Mounting hole, \varnothing 4.2 mm
- [6] Sensitivity adjustment: poti
- [7] Connection

Adjustments possible

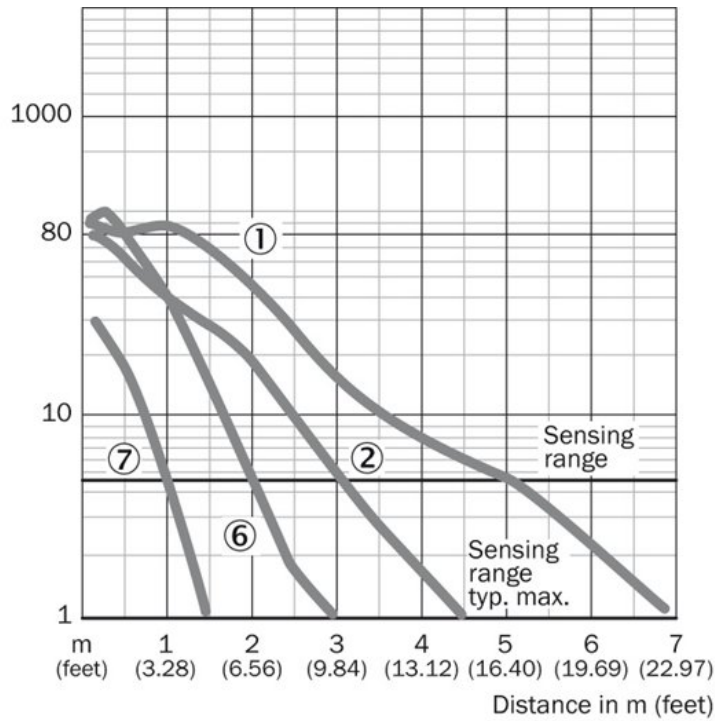


- [2] LED indicator yellow: Light received
- [3] Green LED indicator: supply voltage active
- [6] Sensitivity adjustment: poti

Connection diagram

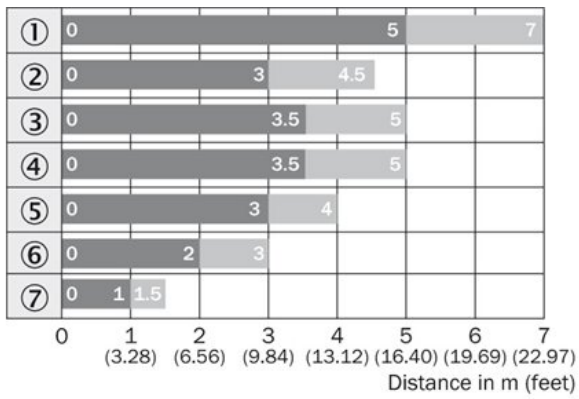


Characteristic curve



- [1] Reflector type PL80A
- [2] Reflector type C110A
- [6] Reflector type PL20A
- [7] Reflective tape

Sensing range diagram



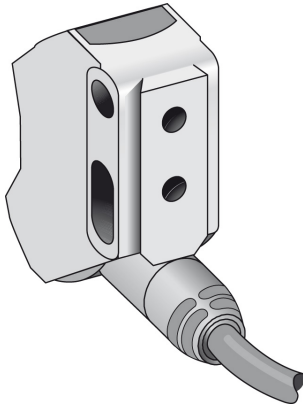
Sensing range
 Sensing range typ. max.

Reflector type

- ① PL80A
- ② C110
- ③ PL50A
- ④ PL40A
- ⑤ PL30A
- ⑥ PL20A
- ⑦ Reflective tape

- |1| PL80A
- |2| C110A
- |3| PL50A
- |4| PL40A
- |5| PL30A
- |6| PL20A
- |7| Reflective tape Diamond Grade

Connection type



Australia

Phone +61 3 9457 0600
1800 334 802 – tollfree
E-Mail sales@sick.com.au

Belgium/Luxembourg

Phone +32 (0)2 466 55 66
E-Mail info@sick.be

Brasil

Phone +55 11 3215-4900
E-Mail sac@sick.com.br

Canada

Phone +1 905 771 14 44
E-Mail information@sick.com

Ceská Republika

Phone +420 2 57 91 18 50
E-Mail sick@sick.cz

China

Phone +86 4000 121 000
E-Mail info.china@sick.net.cn
Phone +852-2153 6300
E-Mail ghk@sick.com.hk

Danmark

Phone +45 45 82 64 00
E-Mail sick@sick.dk

Deutschland

Phone +49 211 5301-301
E-Mail kundenservice@sick.de

España

Phone +34 93 480 31 00
E-Mail info@sick.es

France

Phone +33 1 64 62 35 00
E-Mail info@sick.fr

Great Britain

Phone +44 (0)1727 831121
E-Mail info@sick.co.uk

India

Phone +91-22-4033 8333
E-Mail info@sick-india.com

Israel

Phone +972-4-6801000
E-Mail info@sick-sensors.com

Italia

Phone +39 02 27 43 41
E-Mail info@sick.it

Japan

Phone +81 (0)3 3358 1341
E-Mail support@sick.jp

Magyarország

Phone +36 1 371 2680
E-Mail office@sick.hu

Nederlands

Phone +31 (0)30 229 25 44
E-Mail info@sick.nl

Norge

Phone +47 67 81 50 00
E-Mail austefjord@sick.no

Österreich

Phone +43 (0)22 36 62 28 8-0
E-Mail office@sick.at

Polska

Phone +48 22 837 40 50
E-Mail info@sick.pl

România

Phone +40 356 171 120
E-Mail office@sick.ro

Russia

Phone +7-495-775-05-30
E-Mail info@sick.ru

Schweiz

Phone +41 41 619 29 39
E-Mail contact@sick.ch

Singapore

Phone +65 6744 3732
E-Mail admin@sicksgp.com.sg

Slovenija

Phone +386 (0)1-47 69 990
E-Mail office@sick.si

South Africa

Phone +27 11 472 3733
E-Mail info@sickautomation.co.za

South Korea

Phone +82 2 786 6321/4
E-Mail info@sickkorea.net

Suomi

Phone +358-9-25 15 800
E-Mail sick@sick.fi

Sverige

Phone +46 10 110 10 00
E-Mail info@sick.se

Taiwan

Phone +886-2-2375-6288
E-Mail sales@sick.com.tw

Türkiye

Phone +90 (216) 528 50 00
E-Mail info@sick.com.tr

United Arab Emirates

Phone +971 (0) 4 8865 878
E-Mail info@sick.ae

USA/México

Phone +1(952) 941-6780
1 800-325-7425 – tollfree
E-Mail info@sickusa.com

More representatives and agencies
at www.sick.com