



## Safety light curtains C4000 Advanced without extension connection

C40E-0402CB010, C40S-0402CA010



**receiver**

Model Name > C40E-0402CB010  
Part No. > 1018793



**sender**

Model Name > C40S-0402CA010  
Part No. > 1018615



**At a glance**

- Type 4 (IEC 61496), PL e (EN ISO 13849)
- Various options for blanking objects: fixed, floating, or teach-in
- 7-segment display
- PSDI mode with the UE402 switching amplifier
- External device monitoring (EDM) and restart interlock (RES)
- Beam coding for correct system allocation
- Configuration and diagnostics via PC
- Cascade up to three systems

**Your benefits**

- Blanking functions enable reliable and safe object detection and increase the productivity in the process
- 7-segment display saves time during alignment and diagnostics
- Beam coding protects the systems against optical interference by ensuring a high level of availability
- Clone plug enables easy and rapid commissioning, saving time and costs
- Ability to cascade up to three systems optimizes the safety application and reduces wiring costs
- Precise, convenient configuration and diagnostics reduce downtime



**Functions-Sender**

|   |   |
|---|---|
| Beam coding:                                | ✓   |
| Reduced resolution:                         | -   |
| Configuration method:                       | PC with CDS (Configuration and Diagnostic Software) |
| Extension connection:                       | -   |
| PSDI mode with:                             | UE402   |
| Safe SICK device communication via EFI/SDL: | ✓   |

## Functions-Receiver

---

|  |   |
|--|---|
| Restart interlock:                             | ✓   |
| Restart interlock (delivery status):           | External  |
| External device monitoring (EDM):              | ✓   |
| External device monitoring (delivery status):  | Deactivated   |
| Beam coding:                                   | ✓   |
| Beam coding (delivery status):                 | Non-coded   |
| Reduced resolution:                            | ✓   |
| Bypass (with UE402):                           | ✓   |
| Emergency stop/bypass at extension connection: | -   |
| Operating mode switching (with UE402):         | ✓   |
| PSDI mode with:                                | UE402   |
| Muting with:                                   | Flexi Classic                                       |
| Configuration method:                          | PC with CDS (Configuration and Diagnostic Software) |
| Extension connection:                          | -   |
| Safe SICK device communication via EFI/SDL:    | ✓   |

## Technical Data-Sender

---

|   |   |
|---|---|
| Protective field height:                  | 450 mm                                  |
| Resolution:                               | 20 mm                                   |
| Housing length:                           | 578 mm                                  |
| Housing cross-section:                    | 48 mm x 40 mm                           |
| Type:                                     | Type 4 (IEC 61496)                      |
| Safety integrity level:                   | SIL3 (IEC 61508), SILCL3 (IEC 62061)    |
| Category:                                 | category 4 (EN ISO 13849)               |
| Performance level:                        | PL e (EN ISO 13849)                     |
| PFHd:                                     | 1.5 * 1E-08                             |
| TM (mission time):                        | 20 a                                    |
| Supply voltage typical, from, to:         | 24 V DC, 19.2 V DC, 28.8 V DC           |
| Connection type:                          | Hirschmann plug M26 x 11 + FE, straight |
| Connection type configuration connection: | M8 x 4                                  |
| Maximum connection cable cross-section:   | 0.75 mm <sup>2</sup>                    |
| Wave length:                              | 950 nm                                  |
| Protection class:                         | III (EN 50178)                          |
| Enclosure rating:                         | IP 65 (EN 60529)                        |
| Ambient operating temperature:            | 0 °C ... 55 °C                          |
| Vibration resistance (checked to):        | 5 g (IEC 60068-2-6)                     |
| Oscillation frequency from ... to:        | 10 Hz ... 55 Hz                         |
| Shock resistance:                         | 10 g, 16 ms (IEC 60068-2-29)            |
| Weight:                                   | 1,100 g                                 |

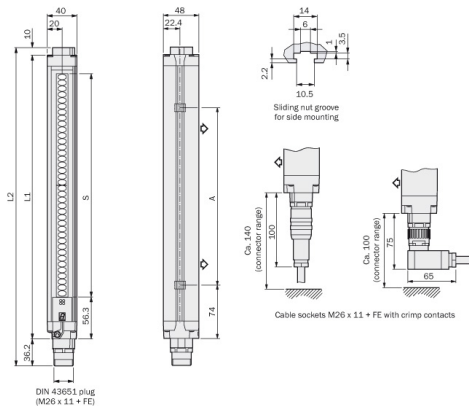
## Technical Data-Receiver

---

|   |                                      |
|---|--------------------------------------|
| Protective field height:                      | 450 mm                               |
| Resolution:                                   | 20 mm                                |
| Scanning range from ... to:                   | 0 m ... 19 m                         |
| Scanning range from ... to (delivery status): | 0 m ... 6 m                          |
| Housing length:                               | 578 mm                               |
| Housing cross-section:                        | 48 mm x 40 mm                        |
| Type:   | Type 4 (IEC 61496)                   |
| Safety integrity level:                       | SIL3 (IEC 61508), SILCL3 (IEC 62061) |

|   |   |
|---|---|
| Category:                                 | category 4 (EN ISO 13849)               |
| Performance level:                        | PL e (EN ISO 13849)                     |
| PFHd:                                     | 1.5 * 1E-08                             |
| TM (mission time):                        | 20 a                                    |
| Supply voltage typical, from, to:         | 24 V DC, 19.2 V DC, 28.8 V DC           |
| Response time without beam coding:        | ≤ 12 ms                                 |
| Response time with beam coding:           | ≤ 18 ms                                 |
| Maximum switching current:                | 500 mA                                  |
| Wave length:                              | 950 nm                                  |
| Connection type:                          | Hirschmann plug M26 x 11 + FE, straight |
| Connection type configuration connection: | M8 x 4                                  |
| Maximum connection cable cross-section:   | 0.75 mm <sup>2</sup>                    |
| Protection class:                         | III (EN 50178)                          |
| Enclosure rating:                         | IP 65 (EN 60529)                        |
| Ambient operating temperature:            | 0 °C ... 55 °C                          |
| Vibration resistance (checked to):        | 5 g (IEC 60068-2-6)                     |
| Oscillation frequency from ... to:        | 10 Hz ... 55 Hz                         |
| Shock resistance:                         | 10 g, 16 ms (IEC 60068-2-29)            |
| Weight:                                   | 1,130 g                                 |

## Dimensional drawing



**Australia**

Phone +61 3 9457 0600  
1800 33 48 02 – tollfree  
E-Mail sales@sick.com.au

**Belgium/Luxembourg**

Phone +32 (0)2 466 55 66  
E-Mail info@sick.be

**Brasil**

Phone +55 11 3215-4900  
E-Mail marketing@sick.com.br

**Canada**

Phone +1 905 771 14 44  
E-Mail information@sick.com

**Česká republika**

Phone +420 2 57 91 18 50  
E-Mail sick@sick.cz

**China**

Phone +86 4000 121 000  
E-Mail info.china@sick.net.cn  
Phone +852-2153 6300  
E-Mail ghk@sick.com.hk

**Danmark**

Phone +45 45 82 64 00  
E-Mail sick@sick.dk

**Deutschland**

Phone +49 211 5301-301  
E-Mail info@sick.de

**España**

Phone +34 93 480 31 00  
E-Mail info@sick.es

**France**

Phone +33 1 64 62 35 00  
E-Mail info@sick.fr

**Great Britain**

Phone +44 (0)1727 831121  
E-Mail info@sick.co.uk

**India**

Phone +91-22-4033 8333  
E-Mail info@sick-india.com

**Israel**

Phone +972-4-6881000  
E-Mail info@sick-sensors.com

**Italia**

Phone +39 02 27 43 41  
E-Mail info@sick.it

**Japan**

Phone +81 (0)3 5309 2112  
E-Mail support@sick.jp

**Magyarország**

Phone +36 1 371 2680  
E-Mail office@sick.hu

**Nederland**

Phone +31 (0)30 229 25 44  
E-Mail info@sick.nl

**Norge**

Phone +47 67 81 50 00  
E-Mail sick@sick.no

**Österreich**

Phone +43 (0)22 36 62 28 8-0  
E-Mail office@sick.at

**Polska**

Phone +48 22 837 40 50  
E-Mail info@sick.pl

**România**

Phone +40 356 171 120  
E-Mail office@sick.ro

**Russia**

Phone +7-495-775-05-30  
E-Mail info@sick.ru

**Schweiz**

Phone +41 41 619 29 39  
E-Mail contact@sick.ch

**Singapore**

Phone +65 6744 3732  
E-Mail sales.gsg@sick.com

**Slovenija**

Phone +386 (0)1-47 69 990  
E-Mail office@sick.si

**South Africa**

Phone +27 11 472 3733  
E-Mail info@sickautomation.co.za

**South Korea**

Phone +82 2 786 6321/4  
E-Mail info@sickkorea.net

**Suomi**

Phone +358-9-25 15 800  
E-Mail sick@sick.fi

**Sverige**

Phone +46 10 110 10 00  
E-Mail info@sick.se

**Taiwan**

Phone +886 2 2375-6288  
E-Mail sales@sick.com.tw

**Türkiye**

Phone +90 (216) 528 50 00  
E-Mail info@sick.com.tr

**United Arab Emirates**

Phone +971 (0) 4 88 65 878  
E-Mail info@sick.ae

**USA/México**

Phone +1(952) 941-6780  
1 (800) 325-7425 – tollfree  
E-Mail info@sickusa.com

More representatives and agencies  
at [www.sick.com](http://www.sick.com)