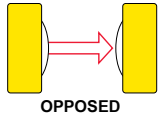
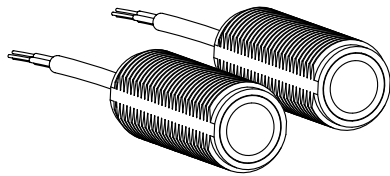


# S12-2 Emitter/Receiver Pair Photoelectric Sensor



## Datasheet



880 nm Infrared

- Small 12 mm (0.47 inch) diameter tubular opposed mode sensor pair
- Fully threaded barrel allows easy mounting to bracket or panel with included M12 nuts
- Easy-to-see status LED indicators for Power ON, Output Overload, Signal Received, and Marginal Signal
- Wide beam pattern makes sensor alignment easy at long ranges
- Emitter beam inhibit to verify normal sensor operation before motion
- Robust epoxy encapsulated electronics for reliable use in industrial environments

Model	Type	Range	Output Type	Input
S12-2NAEL-2M	Emitter	20 m (65.6 feet)	N/A	N/A
S12-2NAEJ-2M				Beam Inhibit
S12-2ANRL-2M	Receiver		NPN/LO	N/A
S12-2RNRL-2M			NPN/DO	
S12-2APRL-2M			PNP/LO	
S12-2RPRL-2M			PNP/DO	

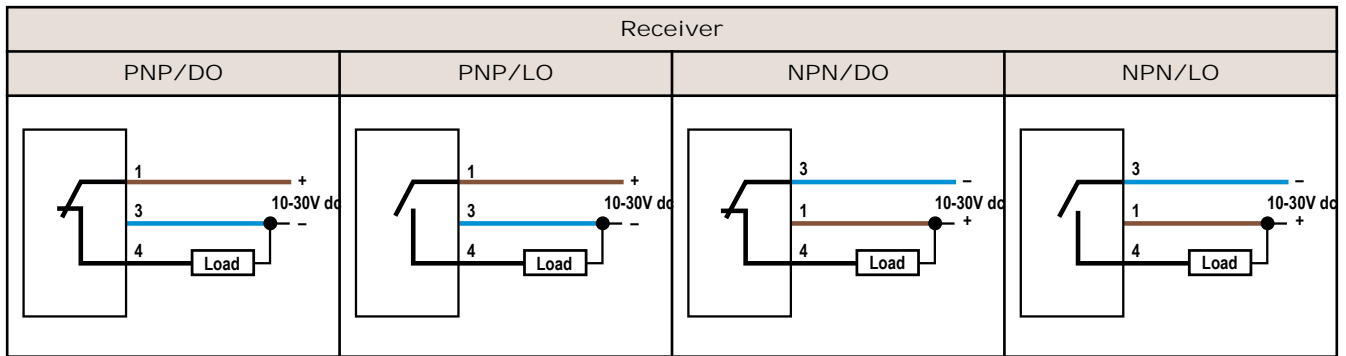
Standard 2 m (6.5 ft) cable models are listed. To order the 3-pin 150 mm (6 inch) pigtail with threaded Pico-style M8 connector models, replace the suffix "-2M" with "-Q3" on the model number. For example, S12-2NAEL-Q3.

## Wiring Diagrams

Emitter	Emitter with Beam Inhibit (Cabled)	Emitter with Beam Inhibit (QD with Pigtail)	
			<p>1 = Brown 2 = White 3 = Blue 4 = Black</p>

Cabled emitters with beam inhibit use the white wire to error-proof wiring in the cabinet. QD models use the standard pinout and the beam inhibit (pin 4) wire color is determined by the cordset used, but is typically black.





## Specifications

### Sensing Beam

880 nm Invisible Infrared beam

### Sensing Range

20 m (65.6 ft)

### Supply Voltage and Current Consumption

10 to 30 V dc; less than 25 mA (emitters) or 15 mA (receivers) exclusive of load

### Supply Protection Circuitry

Protected against reverse polarity and transient over voltages

### Delay at Power-up

Less than 1 second

### Output Configuration

One solid state output, NPN (sinking) or PNP (sourcing), depending on model

### Output Rating

100 mA

OFF-state leakage current: < 10  $\mu$ A

ON-state saturation voltage: < 0.2 V at 10 mA; < 0.8 V at 100 mA

### Output Protection Circuitry

Protected against output short circuit, continuous overload, and transient over voltages

### Output Response Time

11 ms ON, 7 ms OFF

### Input Configuration (emitter only)

Emitter beam inhibit

### Repeatability

1.5 ms

### Indicators

Green Power LED (emitter and receiver):

- ON indicates power on
- Flashing indicates output short circuited (receiver only)

Red Output LED (receiver only):

- ON indicates light sensed
- Flashing indicates marginal excess gain (1.0 to 1.5x excess gain)

### Construction

Housing: Polycarbonate with epoxy encapsulated electronics

Lens: Polycarbonate

Cable: PVC jacket

### Environmental rating

IP67

### Connections

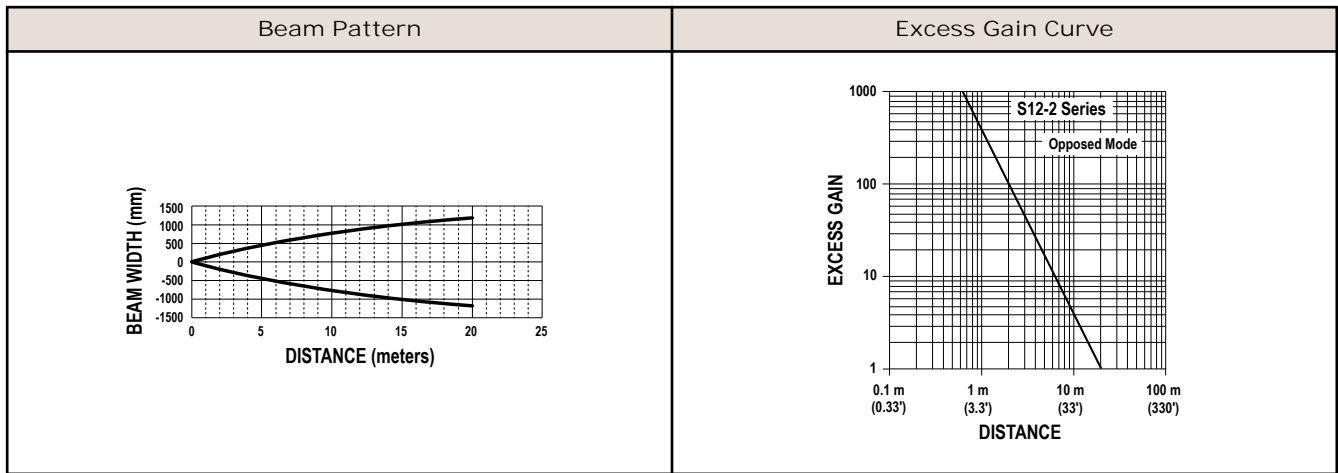
2 m (6.5 ft) cable or 150 mm (6 inch) pigtail with M8 threaded connection

### Operating Conditions

Temperature: -25 °C to +50 °C (-13 °F to +122 °F)

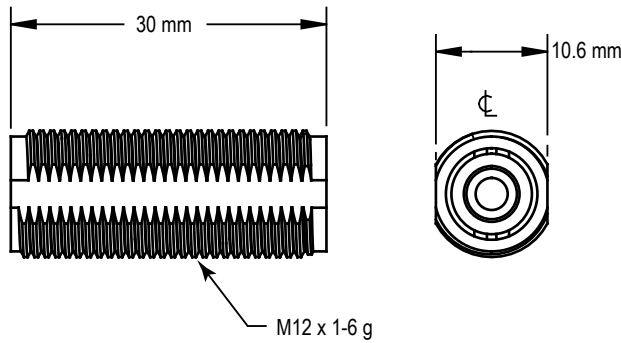
### Certifications



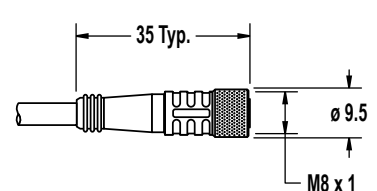
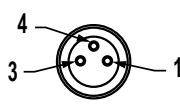
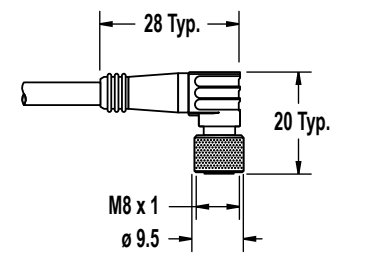


### Dimensions

All measurements are listed in millimeters.



### Accessories

3-Pin Threaded M8/Pico-Style Cordsets				
Model	Length	Style	Dimensions	Pinout
PKG3M-2	2 m (6.56 ft)	Straight		 <p>1 = Brown 3 = Blue 4 = Black</p>
PKG3M-5	5 m (16.40 ft)			
PKG3M-7	7 m (22.97 ft)			
PKG3M-9	9 m (29.53 ft)			
PKG3M-10	10 m (32.81 ft)			
PKW3M-2	2 m (6.56 ft)	Right-Angle		
PKW3M-5	5 m (16.40 ft)			
PKW3M-9	9 m (29.53 ft)			

## Banner Engineering Corp Limited Warranty

---

Banner Engineering Corp. warrants its products to be free from defects in material and workmanship for one year following the date of shipment. Banner Engineering Corp. will repair or replace, free of charge, any product of its manufacture which, at the time it is returned to the factory, is found to have been defective during the warranty period. This warranty does not cover damage or liability for misuse, abuse, or the improper application or installation of the Banner product.

THIS LIMITED WARRANTY IS EXCLUSIVE AND IN LIEU OF ALL OTHER WARRANTIES WHETHER EXPRESS OR IMPLIED (INCLUDING, WITHOUT LIMITATION, ANY WARRANTY OF MERCHANTABILITY OR FITNESS FOR A PARTICULAR PURPOSE), AND WHETHER ARISING UNDER COURSE OF PERFORMANCE, COURSE OF DEALING OR TRADE USAGE.

This Warranty is exclusive and limited to repair or, at the discretion of Banner Engineering Corp., replacement. IN NO EVENT SHALL BANNER ENGINEERING CORP. BE LIABLE TO BUYER OR ANY OTHER PERSON OR ENTITY FOR ANY EXTRA COSTS, EXPENSES, LOSSES, LOSS OF PROFITS, OR ANY INCIDENTAL, CONSEQUENTIAL OR SPECIAL DAMAGES RESULTING FROM ANY PRODUCT DEFECT OR FROM THE USE OR INABILITY TO USE THE PRODUCT, WHETHER ARISING IN CONTRACT OR WARRANTY, STATUTE, TORT, STRICT LIABILITY, NEGLIGENCE, OR OTHERWISE.

Banner Engineering Corp. reserves the right to change, modify or improve the design of the product without assuming any obligations or liabilities relating to any product previously manufactured by Banner Engineering Corp.