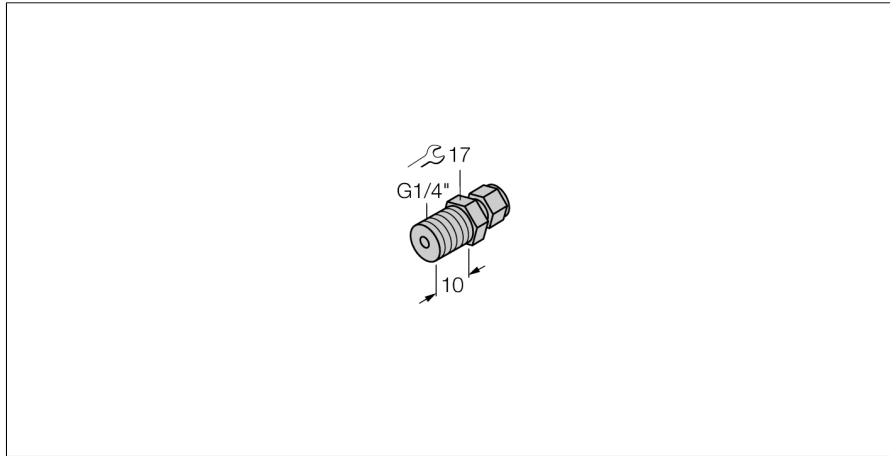


**Temperature measurement  
accessories compression fittings  
CF-M-6-G1/4-A4**

**TURCK**

Industrial  
Automation



- Compression fittings for direct mounting of TP temperature probes
- Temperature range -50...+350 °C

**General description**

With compression fittings, probes can be mounted directly where they are needed and they can be immersed as deep as wanted. Through direct contact with the medium, they react immediately to temperature changes.

<b>Type code</b>	CF-M-6-G1/4-A4
Ident no.	9910483
<b>Temperature range</b>	-50...350 °C
Temperature operating range	-58...662°F
<b>Pressure resistance</b>	100 bar
<b>Housing</b>	
Housing material	stainless steel, V4A (1.4404)
Sealing material	stainless steel
Process connection	G 1/4"
Pressure resistance	100 bar
Max. tightening torque housing nut	100 Nm