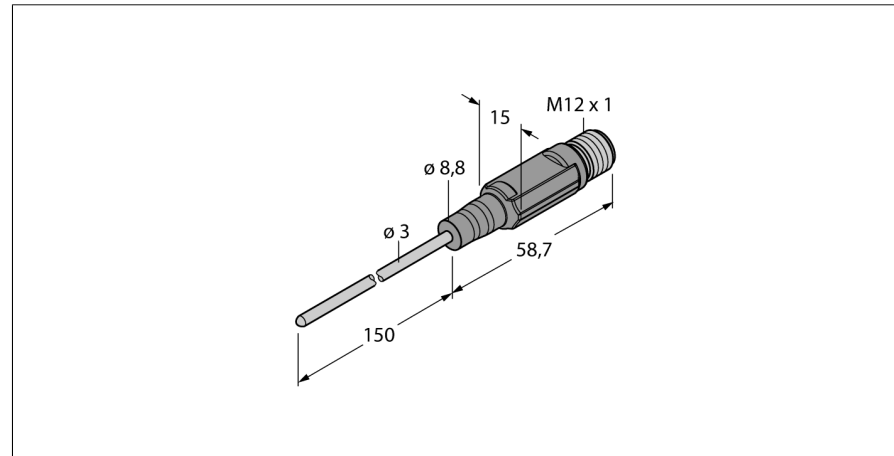
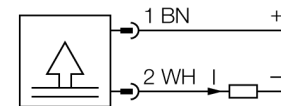


**Temperature measurement
miniature transmitter with integrated probe
TTM150C-203A-CF-LI6-H1140-L150 -50...150°C**



- Miniature design
- Analog output 4...20 mA
- Temperature range -50...+150 °C

Wiring diagram



General description

Temperatures are recorded over a mineral insulated transmitter and converted into a wide range of electrical output signals.

The devices of the TTM miniature series are enclosed in a fully potted plastic housing and depending on the variant, they have either an IO-link output, power output and/or switching output.

| | |
|---|--|
| Type code | TTM150C-203A-CF-LI6-H1140-L150 -50...150°C |
| Ident no. | 9910538 |
| Temperature range | -50...150 °C |
| Temperature operating range | -58...302°F |
| Measuring element | Pt-100 platinum measuring element, DIN EN 60751 |
| Accuracy | Class A |
| Response time | t0.5 = 1.5 s/ t0.9 = 6.0 s in water at 0.2 m/s |
| Immersion depth (L) | 150 mm |
| Power supply | |
| Operating voltage | 10...24VDC |
| No-load current I ₀ | ≤ 20 mA |
| Short-circuit/reverse polarity protection | yes/ yes |
| Protection type and class | IP67/ III |
| Outputs | |
| Output 1 | analog output |
| Analogue output | |
| Operating range | 4...20 mA (2-wire) |
| Load | ≤ 700 kΩ |
| Accuracy (Lin. + Hys. + Rep.) | ± 0.2 K |
| Temperature behaviour | |
| Temperature coefficient zero point T ₀ | ± 0.1 % of full scale / 10 K |
| Temperature coefficient span T _{Δs} | ± 0.1 % of full scale / 10 K |
| Ambient conditions | |
| Ambient temperature | -40...80 °C |
| Storage temperature | -40...+80°C |
| Pressure resistance | 100 bar |
| Housing | |
| Housing material | stainless-steel/plastic, V4A (1.4404) |
| Sensor material | stainless steel, AISI 316L |
| Process connection | for compression fittings, thermowells or direct mounting |
| Connection | male, M12 x 1 |
| Pressure resistance | 100 bar |
| Reference conditions acc. to IEC 61298-1 | |
| temperature | 15...25 °C |
| Atmospheric pressure | 860...1060 hPa abs. |
| Humidity | 45...75 % rel. |
| Auxiliary power | 24 VDC |

**Temperature measurement
miniature transmitter with integrated probe
TTM150C-203A-CF-LI6-H1140-L150 -50...150°C**

Wiring accessories

| Type code | Ident no. | Description | Dimension drawing |
|---------------|-----------|--|-------------------|
| RKC4.4T-2/TEL | 6625013 | Connection cable, female M12, straight, 4-pin, cable length: 2 m, sheath material: PVC, black; cULus approval; other cable lengths and qualities available, see www.turck.com | |
| WKC4.4T-2/TEL | 6625025 | Connection cable, female M12, angled, 4-pin, cable length: 2 m, sheath material: PVC, black; cULus approval; other cable lengths and qualities available, see www.turck.com | |
| RKC4.4T-2/TXL | 6625503 | Connection cable, female M12, straight, 4-pin, cable length: 2 m, sheath material: PUR, black; cULus approval; other cable lengths and qualities available, see www.turck.com | |
| WKC4.4T-2/TXL | 6625515 | Connection cable, female M12, angled, 4-pin, cable length: 2 m, sheath material: PUR, black; cULus approval; other cable lengths and qualities available, see www.turck.com | |