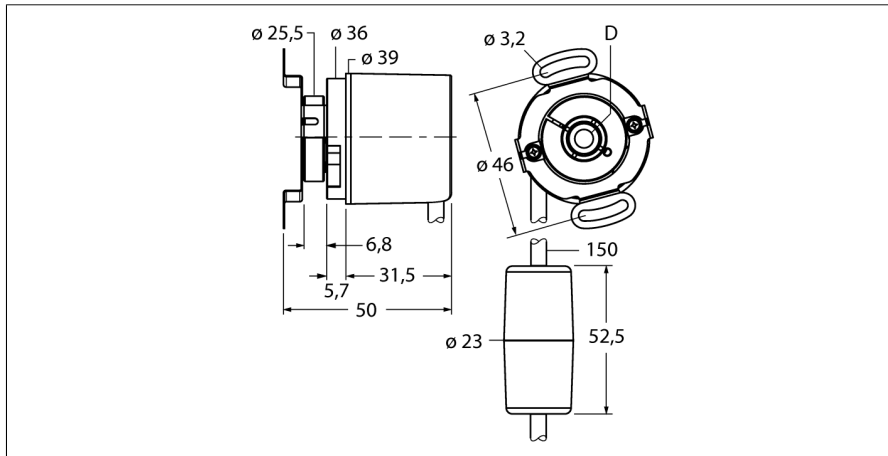


**Rotative measurement**  
**Absolute rotary encoder / Multiturn**  
**RM-50H10E-3C24B-CT 1M**



- Flange with stator coupling, Ø 36mm
- Blind hole hollow shaft, Ø 10mm
- Minimum plug-in depth, 14.5mm
- Optical measuring principle
- Shaft material, stainless steel
- Protection class IP67 on the shaft side
- -40...+85°C
- max. 10000 U / min (im Dauerbetrieb 8000)
- 10...30 VDC
- SSI, gray
- Cable connection, 8-pole
- Singleturn, 12 bit resolution
- Multiturn, 12 bit resolution

<b>Type code</b>	RM-50H10E-3C24B-CT 1M
Ident no.	1544525

<b>Measuring principle</b>	Photoelectric
max. Drehzahl	10.000 U/min
Starting torque	0.01 Nm
Ambient temperature	-40...+85 °C

<b>Operating voltage</b>	10...30VDC
No-load current I <sub>0</sub>	≤ 30 mA
Output current	≤ 30 mA
Short-circuit protection	yes
Output function	8-wire, SSI, Gray coded
Output type	absolute multiturn
Resolution single-turn	12 Bit
Resolution multiturn	12 Bit
Signal level high	typ. 3.8 V
Signal level low	typ. 1.3 V

<b>Design</b>	Hollow shaft
Flange type	Flange with stator coupling
Flange diameter	36 mm
Shaft type	Hollow shaft
Shaft diameter D	10 mm
	Blind hole hollow shaft, minimum plug-in depth 14,5mm
Shaft material	Stainless steel
Housing material	zinc, die-casting
Connection	cable tangential
cable length	1 m
Axial shaft load	20 N
Radial shaft load	40 N
Vibration resistance (EN 60068-2-6)	100 m/s <sup>2</sup> , 55...2000 Hz
Shock resistance (EN 60068-2-27)	2500 m/s <sup>2</sup> , 6 ms
Protection class housing	IP65
Protection class shaft	IP67

	WH	GND	
	BN	U <sub>B</sub>	+
	GN	C	+
	YE	C	-
	GY	D	+
	PK	D	-
	BU	SET	
	RD	DIR	
	VT	STAT	
	PE	shield	

**Rotative measurement  
Absolute rotary encoder / Multiturn  
RM-50H10E-3C24B-CT 1M****Pin configuration**

<b>Signal</b>	<b>Gnd</b>	<b>+U<sub>e</sub></b>	<b>C+</b>	<b>C-</b>	<b>D+</b>	<b>D-</b>	<b>SET</b>	<b>DIR</b>	<b>STAT</b>
<b>Core color</b>	<b>WH</b>	<b>BN</b>	<b>GN</b>	<b>YE</b>	<b>GY</b>	<b>PK</b>	<b>BU</b>	<b>RD</b>	<b>VT</b>
<b>Signal</b>	<b>PE</b>	-	-	-	-	-	-	-	-
<b>Core color</b>	<b>Shield</b>	-	-	-	-	-	-	-	-

**Rotative measurement**  
**Absolute rotary encoder / Multiturn**  
**RM-50H10E-3C24B-CT 1M**

**Accessories**

Type code	Ident no.	Description	Dimension drawing
RME-3	1544614	Stainless steel stator coupling for hollow shaft encoders, reference diameter 46 mm, for highly dynamic applications with axial and radial play	
RME-13	1544624	Plastic spring element for hollow shaft encoders, reference diameter 42 mm, for low dynamic applications with restricted axial play and limited mounting space.	
RME-14	1544625	Plastic spring element for hollow shaft encoders, reference diameters 44 mm, 60 mm, 63 mm, 65 mm, for low dynamic applications with high axial play.	