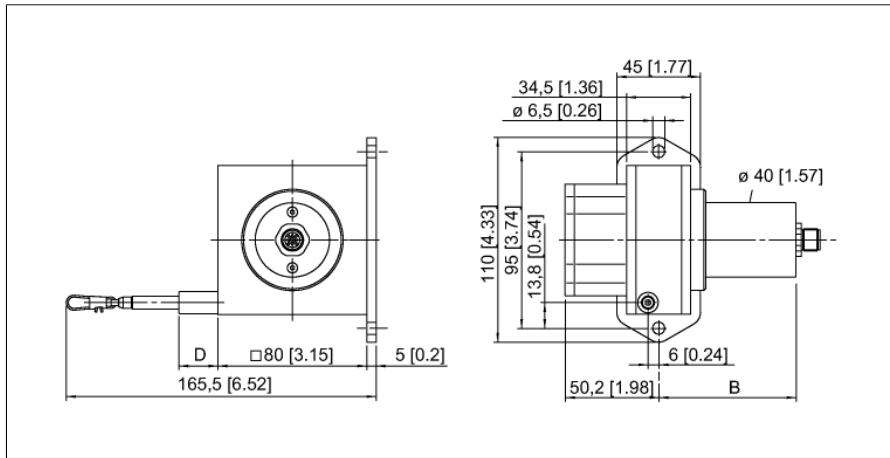
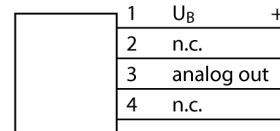


Draw-Wire
DW2000-110-7E-H1141



- Measuring range up to 2000mm
- M12 connector
- Protection class: IP65
- Analog output, 4...20 mA
- Supply voltage 12...30 VDC



Type code	DW2000-110-7E-H1141
Ident no.	1544543
Measuring range [A...B]	2000mm
Linearity deviation	≤ 0.1 %
Ambient temperature	-20...+60 °C
Operating voltage	12...30VDC
DC rated operational current	≤ 50 mA
Short-circuit protection	yes
Output function	2-wire, analog output
Current output	4...20mA
Housing material	aluminium, titanium anodized
min. extension force	6.4 N
max.extension force	7.8 N
max. extension speed	10 m/s
max. extension speed	140 m/s ²
wire material	Stainless steel
Connection	male, M12 x 1
Protection class	IP65

Draw-Wire
DW2000-110-7E-H1141

Pin configuration

Signal	+U _s	-	Analog out	-	-	-	-	-	-
Pin configura- tion	1	2	3	4	-	-	-	-	-

Draw-Wire
DW2000-110-7E-H1141

TURCK

Industrial
Automation

Accessories

Type code	Ident no.	Description	Dimension drawing
RDR-1	1544753	Deflection roller for aluminium draw-wire sensors	