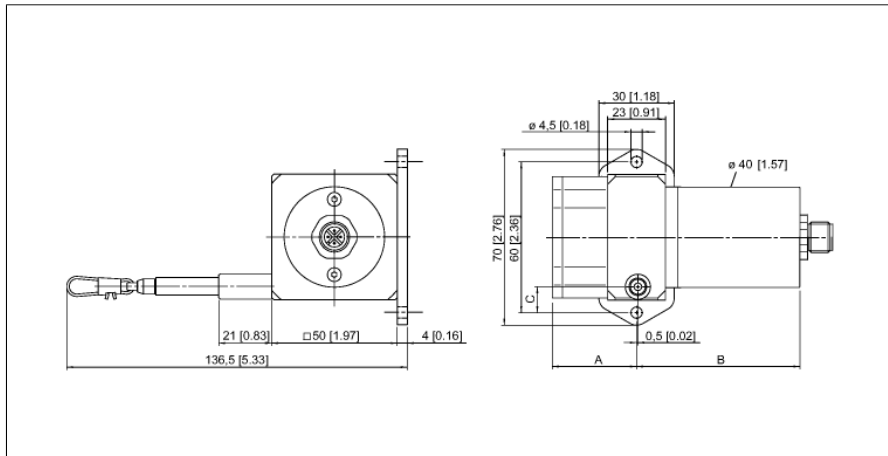


**Draw-Wire  
DW250-70-7E-H1141**



- Measuring range up to 250 mm
- M12 connector
- Protection class: IP65
- Analog output, 4...20 mA
- Supply voltage 12...30 VDC

1	U <sub>B</sub>	+
2	n.c.	
3	analog out	
4	n.c.	

<b>Type code</b>	DW250-70-7E-H1141
Ident no.	1544531
<b>Measuring range [A...B]</b>	250mm
Linearity deviation	≤ 0.1 %
Ambient temperature	-20...+60 °C
<b>Operating voltage</b>	12...30VDC
DC rated operational current	≤ 50 mA
Short-circuit protection	yes
Output function	2-wire, analog output
Current output	4...20mA
<b>Housing material</b>	aluminium, titanium anodized
min. extension force	6.8 N
max. extension force	7.9 N
max. extension speed	8 m/s
max. extension speed	200 m/s <sup>2</sup>
wire material	Stainless steel
Connection	male, M12 x 1
Protection class	IP65

**Draw-Wire**  
**DW250-70-7E-H1141**

**Pin configuration**

<b>Signal</b>	<b>+U<sub>s</sub></b>	-	<b>Analog out</b>	-	-	-	-	-	-
<b>Pin configura- tion</b>	<b>1</b>	<b>2</b>	<b>3</b>	<b>4</b>	-	-	-	-	-

**Draw-Wire**  
**DW250-70-7E-H1141**

**TURCK**

Industrial  
Automation

**Accessories**

Type code	Ident no.	Description	Dimension drawing
RDR-1	1544753	Deflection roller for aluminium draw-wire sensors	