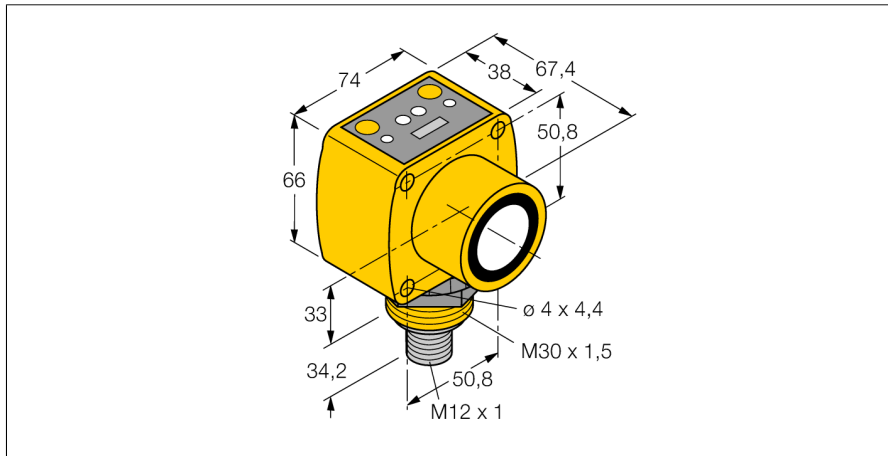
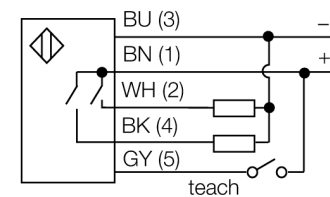


**Ultrasonic sensor
diffuse mode sensor
QT50UDBQ6**



- LED indicates signal intensity
- Temperature compensation selectable via DIP switch
- 2 switching ranges independently adjustable via teach-in
- Pump function adjustable via DIP switch

Wiring diagram



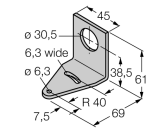
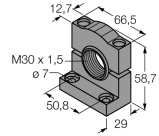
Functional principle

Ultrasonic sensors detect a multitude of objects contactless and wear-free with ultrasonic waves. Regardless of whether the object is transparent or opaque, metallic or non-metallic, liquid, solid or powdery. Even environmental conditions such as spray, dust or rain hardly affect their function.

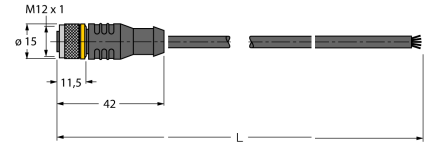
Type code	QT50UDBQ6
Ident no.	3002724
Design	rectangular, QT50U
Housing material	plastic, ABS
Connection	male, M12 x 1
Protection class	IP67
Ambient temperature	-20...+70 °C
MTTF	131 years
MTTF note	acc. to SN 29500 (Ed. 99) 40 °C
Power-on indication	LED
Switching state	LED yellow
Operating voltage	10...30VDC
Output function	2x NO, PNP
Switching frequency	5 Hz
Hysteresis	≤ 5 mm
Short-circuit protection	yes
Operating mode	diffuse mode ultrasonic sensor
Range	20...800 cm
Ultrasound frequency	75 kHz
Repeatability	≥ ± 1 mm
Edge lengths of the nominal actuator	500 mm

**Ultrasonic sensor
diffuse mode sensor
QT50UDBQ6**

Accessories

Type code	Ident no.	Description	Dimension drawing
SMB30A	3032723	Mounting bracket, stainless steel, for sensors with 30 mm thread	
SMB30MM	3027162	Mounting bracket, rectangular, stainless steel, for sensors with 30 mm thread, wide holes for accurate alignment	
SMB30SC	3052521	Mounting bracket, PBT black; for 30 mm thread; with 4 screws M5 x 0.8	

Wiring accessories

Type code	Ident no.	Description	Dimension drawing
RKC4.5T-2/TEL	6625016	Connection cable, female M12, straight, 5-pin, cable length: 2 m, sheath material: PVC, black; cULus approval; other cable lengths and qualities available, see www.turck.com	
WKC4.5T-2/TEL	6625028	Connection cable, female M12, angled, 5-pin, cable length: 2 m, sheath material: PVC, black; cULus approval; other cable lengths and qualities available, see www.turck.com	