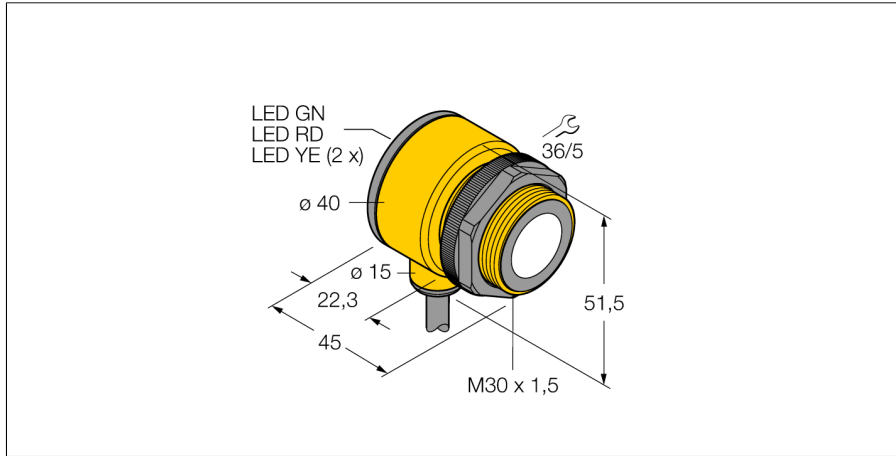
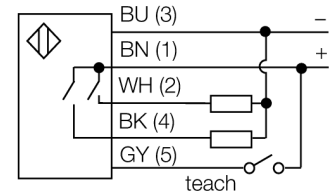


**Ultrasonic sensor  
diffuse mode sensor  
T30UDPB**



- Compact design
- Cable, 2 m
- Operating voltage 12...24 VDC
- Two PNP transistor outputs
- Two independent switching ranges adjustable via button or control line

**Wiring diagram**



**Functional principle**

Ultrasonic sensors detect a multitude of objects contactless and wear-free with ultrasonic waves. Regardless of whether the object is transparent or opaque, metallic or non-metallic, liquid, solid or powdery. Even environmental conditions such as spray, dust or rain hardly affect their function.

<b>Type code</b>	T30UDPB
Ident no.	3055550
<b>Design</b>	cylindrical/threaded, T30
Dimensions	Ø40 x 45 mm
Housing material	plastic, Polyester
Connection	cable, 2
Protection class	IP67
Ambient temperature	-20...+70 °C
MTTF	246 years
MTTF note	acc. to SN 29500 (Ed. 99) 40 °C
<b>Power-on indication</b>	LED
Switching state	LED yellow
<b>Operating voltage</b>	12...24VDC
DC rated operational current	≤ 100 mA
No-load current I <sub>0</sub>	≤ 50 mA
Output function	2x NO, PNP
Switching frequency	10 Hz
Hysteresis	≤ 2.5 mm
Voltage drop at I <sub>0</sub>	≤ 1.5 V
Short-circuit protection	yes/ cyclic
Reverse polarity protection	complete
Wire breakage protection	yes
<b>Operating mode</b>	diffuse mode ultrasonic sensor
Range	30...200 cm
Ultrasound frequency	120 kHz
Repeatability	≥ ± 0.75 mm

**Ultrasonic sensor  
diffuse mode sensor  
T30UDPB**

**Accessories**

Type code	Ident no.	Description	Dimension drawing
SMB30A	3032723	Mounting bracket, stainless steel, for sensors with 30 mm thread	
SMB30FAM10	3011185	Mounting bracket, stainless steel, for M10 x 1.5 thread, thread length 30 mm	
SMB30SC	3052521	Mounting bracket, PBT black; for 30 mm thread; with 4 screws M5 x 0.8	