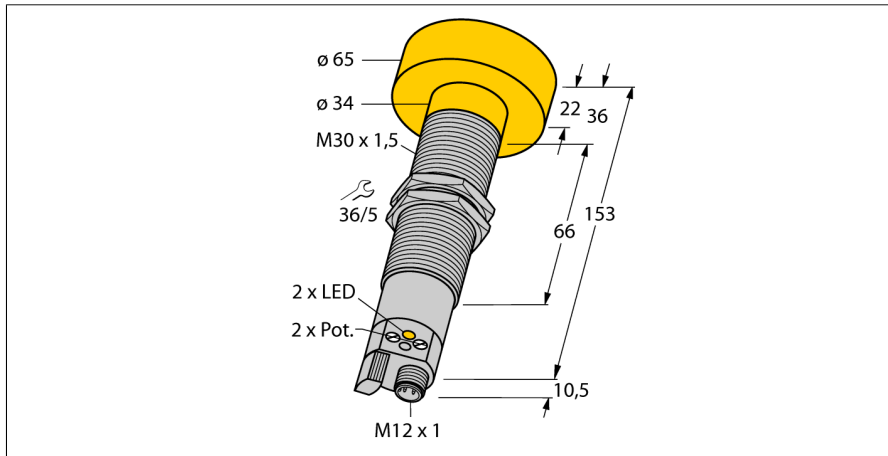
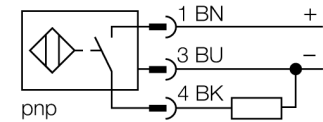


ultrasonic sensor
diffuse mode sensor
RU600-M3065-AP8X-H1141



- Lower and upper switching value adjustable via potentiometer
- PNP transistor output (NO contact)
- Opening angle of sonic cone 6°

Wiring diagram

Functional principle

Ultrasonic sensors use ultrasonic waves for non-contact and wear-free detection of many objects. Regardless of whether the object is transparent or opaque, metallic or non-metallic, or of liquid, solid or powdery consistency. Even environmental conditions such as spray, dust or rain hardly affect their function.

Type code	RU600-M3065-AP8X-H1141
Ident no.	18304
Design	cylindrical/threaded, M30
Dimensions	Ø65 x 163.5 mm
Housing material	metal, CuZn, nickel-plated
Connection	male, M12 x 1
Protection class	IP65
Ambient temperature	-25...+70 °C
Switching state	LED
Operating voltage	20...30VDC
DC rated operational current	≤ 300 mA
No-load current I_0	≤ 50 mA
Output function	NO contact, PNP
Switching frequency	1 Hz
Hysteresis	≤ 60 mm
Voltage drop at I_0	≤ 3 V
Short-circuit protection	yes/ cyclic
Reverse polarity protection	complete
Wire breakage protection	yes
Range	60...600 cm
Ultrasound frequency	80 kHz
Repeatability	≥ ± 9 mm
Edge lengths of the nominal actuator	100 mm
Approach speed	≤ 18 m/s
Pass speed	≤ 3.7 m/s

ultrasonic sensor
diffuse mode sensor
RU600-M3065-AP8X-H1141

Wiring accessories

Type code	Ident no.	Description	Dimension drawing
RKC4.4T-2/TEL	6625013	Connection cable, female M12, straight, 4-pin, cable length: 2 m, sheath material: PVC, black; cULus approval; other cable lengths and qualities available, see www.turck.com	
WKC4.4T-2/TEL	6625025	Connection cable, female M12, angled, 4-pin, cable length: 2 m, sheath material: PVC, black; cULus approval; other cable lengths and qualities available, see www.turck.com	