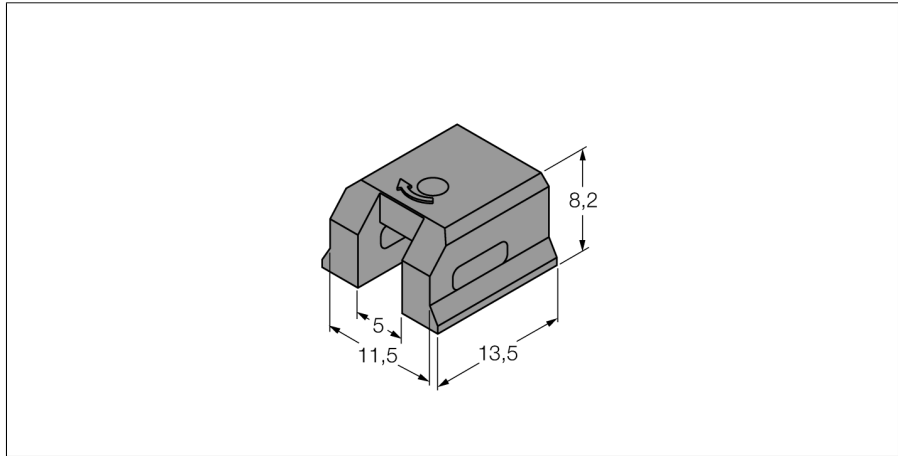


**Mounting accessories
for dovetail groove cylinders
KLDT-UNT4**



- Mounting on profile cylinders with dovetail groove
- For a groove width of 11.5mm (e.g. Pneumax)
- Plastic: Polyphenylene sulfide (PPS)

General description

The sensor programme comprises inductive, magnetic-inductive, capacitive, photoelectric and ultrasonic sensors as well as pressure and flow controls.

A broad range of practice-oriented accessories ensure optimal adaption to your system.

| | |
|--|-----------------------------------|
| Type code | KLDT-UNT4 |
| Ident no. | 6913353 |
| Design | accessories for rectangular types |
| Dimensions | 13.5 x 11.5 x 8.2 mm |
| Housing material | plastic |
| Fixing clamp for correspondent cylinder diameter | alle mm |