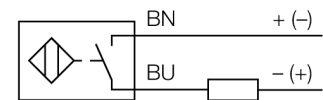


- Threaded barrel, M18 x 1
- Chrome-plated brass
- Factor 1 for all metals
- Resistant to magnetic fields
- 2-wire DC, 10...65 VDC
- NO contact
- Cable connection

**Wiring diagram**



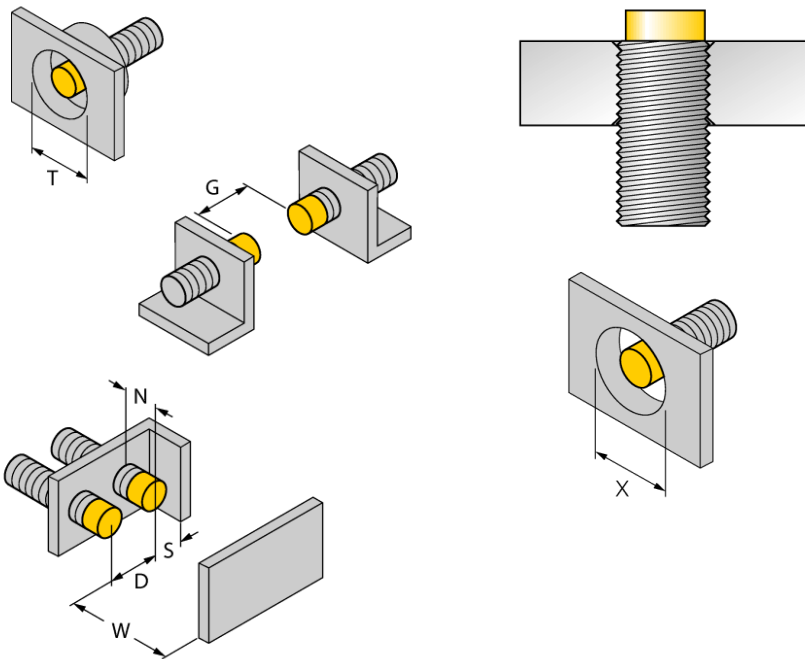
<b>Type code</b>	Ni10U-M18M-AD4X
Ident no.	4405070
<b>Rated operating distance Sn</b>	10 mm
Mounting condition	non-flush
Assured sensing range	≤ (0,81 x Sn) mm
Repeatability	≤ 2 % of full scale
Temperature drift	10 %
	≤ ± 15 %, ≤ -25 °C v ≥ +70 °C
Hysteresis	3...20 %
Ambient temperature	-25...+70 °C
<b>Operating voltage</b>	10...65VDC
Residual ripple	≤ 10 % U <sub>ss</sub>
DC rated operational current	≤ 100 mA
Residual current	≤ 0.8 mA
Rated insulation voltage	≤ 0.5 kV
Short-circuit protection	yes/ cyclic
Voltage drop at I <sub>s</sub>	≤ 5 V
Smallest operating current I <sub>m</sub>	≤ 3 mA
Switching frequency	0.01 kHz
<b>Design</b>	threaded barrel, M18 x 1
Dimensions	64 mm
Housing material	metal, CuZn, chrome-plated
Material active area	Plastic, LCP
End cap	Plastic, EPTR
Max. tightening torque housing nut	25 Nm
Connection	cable
Cable quality	5.2 mm, LifYY, PVC, 2 m
Cable cross section	2 x 0.34 mm <sup>2</sup>
Vibration resistance	55 Hz (1 mm)
Shock resistance	30 g (11 ms)
Protection class	IP68
MTTF	874 years acc. to SN 29500 (Ed. 99) 40 °C
<b>Switching state</b>	LED yellow

**Functional principle**

Inductive sensors detect metal objects contactless and wear-free. Due to the patented multi-coil system, *uprox*+ sensors have distinct advantages compared to conventional sensors. They excel in largest switching distances, maximum flexibility and operational reliability as well as efficient standardization.

Distance D	54 mm
Distance W	30 mm
Distance T	54 mm
Distance S	27 mm
Distance G	60 mm
Distance N	20 mm

**Diameter of the active area B**                       $\varnothing$  18 mm



All non-flush mountable uprox®+ threaded barrel sensors can be screwed to the upper edge of the barrel. Thus safe operation is guaranteed with a reduced switching distance of max. 20 %.

When installed in an aperture plate a distance of X = 70 mm must be observed.

Isolating switching amplifiers can be applied because uprox®+ 2-wire DC sensors work with 8 VDC low operating voltage (limited load current).

If the sensors are operated with the Turck remote I/O fieldbus system BL20, wire-break and short-circuit events are immediately detected. For this purpose connected the sensor to the BL20-4DI-NAMUR slice.

### Accessories

Type code	Ident no.	Description	Dimension drawing
BL20-4DI-NAMUR	6827212	4 digital inputs acc. to EN 60947-5-6. For NAMUR sensors, de-energized contacts or uprox®+ 2-wire DC sensors.	
MW-18	6945004	Mounting bracket for threaded barrel devices; material: Stainless steel A2 1.4301 (AISI 304)	
BSS-18	6901320	Mounting bracket for smooth and threaded barrel devices; material: Polypropylene	