

AS-INTERFACE HEAVY GAUGE E INTERFACE MODULE WITH 4 ENTRIES, HEAVY GAUGE 11 FOR STANDARD ROUND CABLES, EMI

General technical data:

Type of device		accessories digital I/O modules for operation in the field, IP67 - user modules
Design of the product		PG coupling module
operating voltage • according to AS-Interface specification	V	26.5 ... 31.6
Note 1		If AS-Interface flat cables are used, shaped PG seals are required (3RX9 805-0AA00)
Scope of supply		1 x coupling module, 4 x insertion nuts, 2 x cable glands PG11, 3 x screw plugs

Connections:

connection		using screw-type terminals to AS-Interface cables with module top
Connection system		PG gland
AS interface • interface		EMS

Mechanical design:

Type of mounting		for wall and standard rail mounting
Contacts / Load rating / max	A	4

Ambient conditions:

ambient temperature	°C	-25 ... +85
degree of protection		IP67

Certificates/approvals:

General Product Approval



Shipping Approval



other

[Confirmation](#)

[Declaration of
Conformity](#)

[Environmental
Confirmations](#)

Further information:

Information- and Downloadcenter (Catalogs, Brochures,...)

<http://www.siemens.com/industrial-controls/catalogs>

Industry Mall (Online ordering system)

<http://www.siemens.com/industrial-controls/mall>

Cax online generator

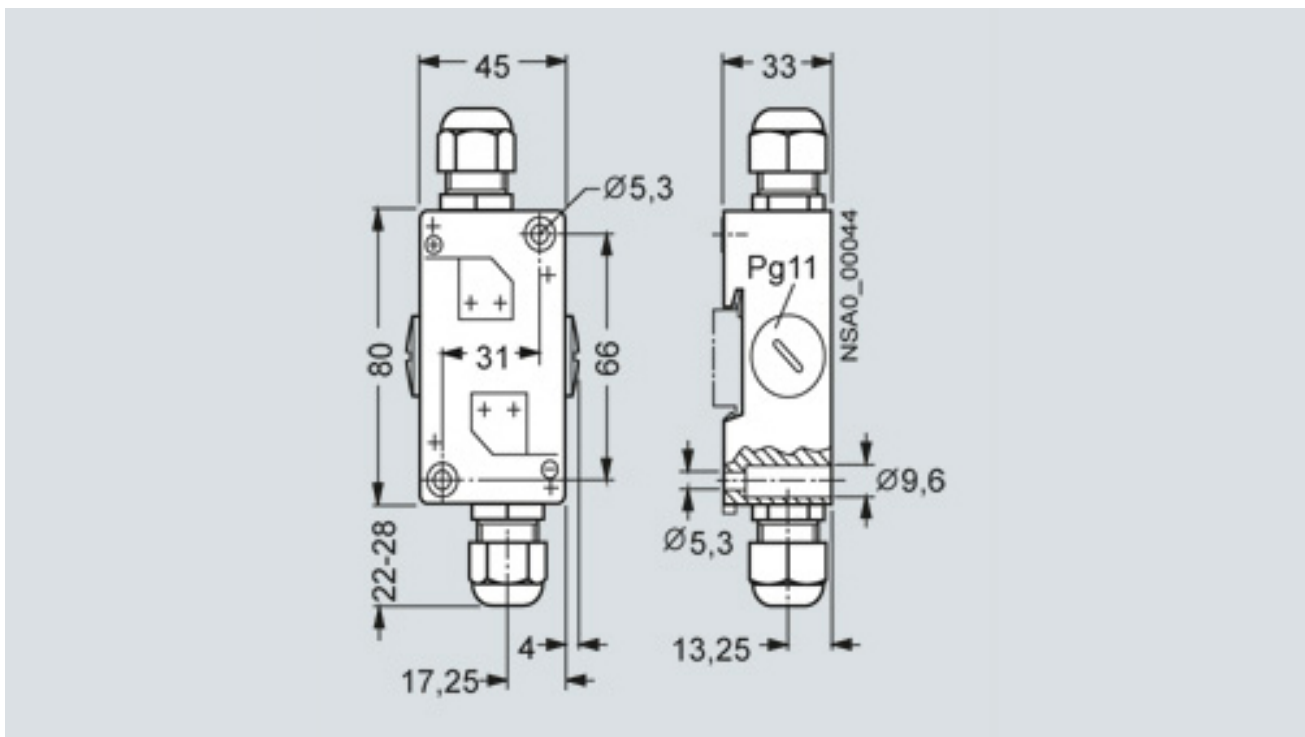
<http://www.siemens.com/cax>

Service&Support (Manuals, Certificates, Characteristics, FAQs,...)

<http://support.automation.siemens.com/WW/view/en/3RG9220-0AA00/all>

Image database (product images, 2D dimension drawings, 3D models, device circuit diagrams, ...)

http://www.automation.siemens.com/bilddb/cax_en.aspx?mlfb=3RG9220-0AA00



last change:

Jul 7, 2014