

- Rectangular, height 40 mm
- Variable orientation of active face in 5 directions
- Plastic, PBT-GF30-V0
- High luminance corner LEDs
- Optimum view on supply voltage and switching state from any position
- Factor 1 for all metals
- Protection class IP68
- Resistant to magnetic fields
- Large detection range
- High switching frequency
- 3-wire DC, 10...30 VDC
- NO contact, NPN output
- Male M12 x 1

Type code BI20U-CK40-AN6X2-H1141
Ident no. 1627231

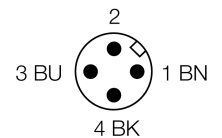
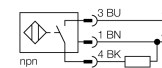
Rated operating distance Sn 20 mm
Mounting condition flush
Assured sensing range ≤ (0,81 x Sn) mm
Repeatability ≤ 2 % of full scale
Temperature drift 10 %
Hysteresis 3...15 %
Ambient temperature -30...+85 °C

Operating voltage 10...30VDC
Residual ripple ≤ 10 % U_{is}
DC rated operational current ≤ 200 mA
No-load current I₀ ≤ 15 mA
Residual current ≤ 0.1 mA
Rated insulation voltage ≤ 0.5 kV
Short-circuit protection yes/ cyclic
Voltage drop at I₀ ≤ 1.8 V
Wire breakage / Reverse polarity protection yes/ complete
Output function 3-wire, NO contact, NPN
Protection class □
Switching frequency 0.25 kHz

Design rectangular, CK40
Dimensions 65 x 40 x 40 mm
variable orientation of active face in 5 directions
Housing material plastic, PBT, black
Connection male, M12 x 1
Vibration resistance 55 Hz (1 mm)
Shock resistance 30 g (11 ms)
Protection class IP68
MTTF 874 years acc. to SN 29500 (Ed. 99) 40 °C

Power-on indication 2 x LEDs green
Switching state LED yellow
Included in scope of supply BS1-CK40

Wiring diagram

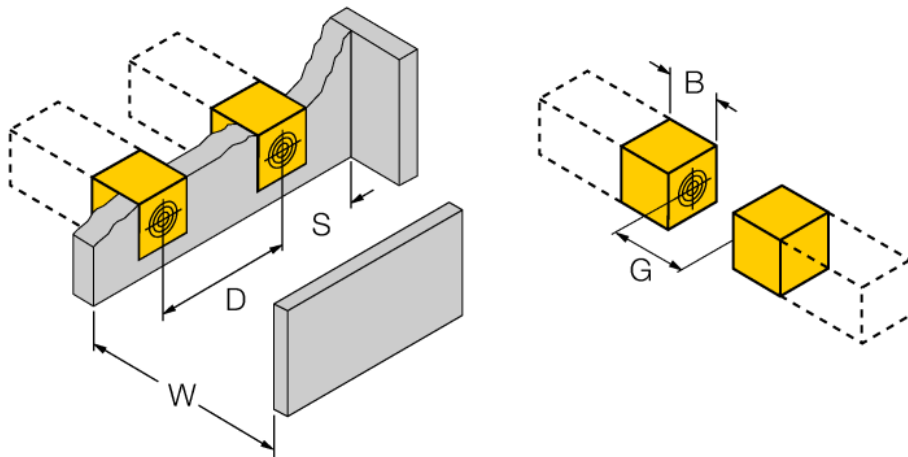


Functional principle

Inductive sensors detect metal objects contactless and wear-free. Due to the patented multi-coil system, *uprox*+ sensors have distinct advantages over conventional sensors. They excel in largest switching distances, maximum flexibility and operational reliability as well as efficient standardization.

Distance D	80 mm
Distance W	60 mm
Distance S	40 mm
Distance G	120 mm

Width of the active face B 40 mm



Accessories

Type code	Ident no.	Description	Dimension drawing
BSS-CP40	6901318	Mounting bracket for rectangular devices; material: Polypropylene	

Wiring accessories

Type code	Ident no.	Description	Dimension drawing
RKC4T-2/TEL	6625010	Connection cable, female M12, straight, 3-pin, cable length: 2 m, sheath material: PVC, black; cULus approval; other cable lengths and qualities available, see www.turck.com	